

**910
SERIES
MULTIMODE
SINGLEMODE**

Single Channel Digital Video Transmission System



FEATURES:

- Compatible with NTSC, RS-170A & RS-343A and PAL
- 10 Bit Digital Video Transmission
- Diagnostics: Video, DC Power, Digital Frame Sync, and Optical Presence
- Serial Digital Transmission
- Available with Enhanced "Afinety" Intelligent Monitoring System

SPECIFICATIONS:

Video:

I/O Level	1 Vpp (±3 dB)
I/O Impedance	75 Ohms
Bandwidth	7 MHz
Differential Gain	2%
Differential Phase.....	0.7 °
SNR.....	65 dB
Connector	BNC

Optical (910 Series):

Wavelength	1310 nm
Loss Budget (62.5/125µ).....	12 dB
Maximum Transmission Distance	4 Km
Connector	ST

Optical (910SL Series):

Wavelength	1310 nm
Loss Budget (9/125µ):.....	21 dB
Connector	FC/PC

Temperature (Operating):

-40°C to +75°C, non-condensing

Power Supply:

Module - 12 VDC (AFI Part #: PS-12D)	
Power Consumption	5 Watts
Rack Card (See AFI Part #: SR-20D/2)	
Power Consumption	6 Watts

Size:

Module - 8 1/8" x 4 1/8" x 1 1/8"
Rack Card - 6 1/2" x 1" x 5"

MULTIMODE ORDERING INFORMATION:

MT-910 = Module Transmitter
RT-910 = Rack Card Transmitter
MR-910 = Module Receiver
RR-910 = Rack Card Receiver

SINGLEMODE ORDERING INFORMATION:

MT-910SL = Module Transmitter
RT-910SL = Rack Card Transmitter
MR-910SL = Module Receiver
RR-910SL = Rack Card Receiver

Example: MT-910 to MR-910

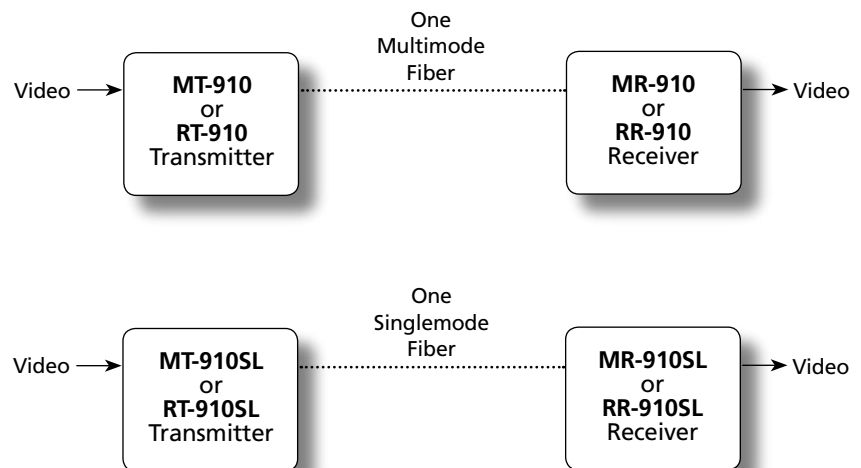
Example: RT-910 to RR-910

Example: MT-910SL to RR-910SL



The American Fibertek 910 Series transmits one channel of high-quality, 10 bit digitized video on one multimode optical fiber. The 910SL Series transmits one channel of high-quality, 10 bit digitized video on one singlemode optical fiber. Designed to be completely transparent to all camera and monitor manufacturers, the system requires no field adjustments at installation or additional maintenance thereafter. Diagnostic indicators provide a quick visual indication of system status. **The "Afinety" intelligent remote monitoring system is available on this product, please consult factory.**

Equipment may be ordered as stand alone modules or rack cards that are mounted in the SR-20D/2 or SR-20R/1 American Fibertek Card Cages.



SEE WEBSITE FOR CURRENT RoHS PRODUCT AVAILABILITY