



**M710
SERIES
MULTIMODE**

SINGLE CHANNEL DIGITAL VIDEO SYSTEM

Features:

- ◆ Compatible with NTSC, (RS – 170A & RS –343A), PAL and SECAM
- ◆ Diagnostics: Video, DC Power, Digital Frame Sync, OLI
- ◆ Digital Video Transmission
- ◆ Serial Digital Transmission

Specifications:

Video:

I/O Level 1 Vp-p (±3 dB)
 I/O Impedance 75 Ohms
 Bandwidth 7 MHz
 Differential Gain 2 %
 Differential Phase..... 0.7 °
 SNR (Unified Weighted)..... 55 dB
 Connector BNC

Optical:

Wavelength 1310nm
 Loss Budget (62.5/125µ)..... 8 dB
 Transmission Distance..... 4 km
 Connector ST

Temperature (Operating)

-40°C to +75°C, non-condensing

Power Supply:

Module – 12 VDC (AFI Part # PS-12D)
 Rack Card – AFI SR 20/2

Size:

Module 4¼" x 4¼" x 1⅛"
 Rack Card requires -1 rack slot– 6½"x5"x1"

Product Ordering Information:

MTM-710 Module Transmitter
 MRM-710 Module Receiver

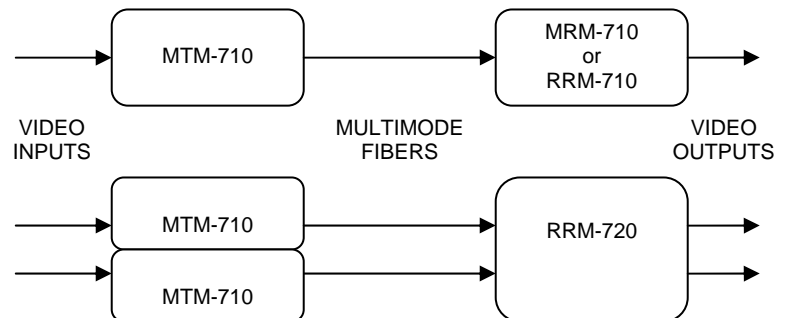
 RRM-710 Rack Card Receiver
 1 Channel
 RRM-720 Rack Card Receiver
 2 Channels



The American Fibertek M710 Series transmits one channel of high-quality digitized video on one multimode optical fiber over a distance of up to 4 km. The rack card receivers are available in a single channel M710 or a two channel M720 configuration. The M720 utilizes 2 fibers, one for each channel.

Designed to be completely transparent to all camera and monitor manufacturers, this system requires no field adjustments at installation or additional maintenance thereafter. Diagnostic indicators provide a quick visual indication of system status.

Equipment may be ordered as stand alone modules or rack cards that are mounted in the American Fibertek Card Cages: SR-20/2 or SR-20H/2.



12/20/14JPK