



**M710SL
SERIES
SINGLEMODE**

SINGLE CHANNEL DIGITAL VIDEO SYSTEM

Features:

- ◆ Compatible with NTSC, (RS – 170A & RS –343A), PAL and SECAM
- ◆ Diagnostics: Video, DC Power, Digital Frame Sync, OLI
- ◆ 10 Bit Digital Video Transmission
- ◆ Serial Digital Transmission

Specifications:

Video:

I/O Level 1 Vp-p (±3 dB)
 I/O Impedance 75 Ohms
 Bandwidth 7 MHz
 Differential Gain 2 %
 Differential Phase 0.7 °
 SNR (Unified Weighted) 55 dB
 Connector BNC

Optical:

Wavelength 1310nm
 Loss Budget (9/125µ) 15 dB
 Transmission Distance 30 km
 Connector FC/ST

Temperature (Operating)

-40°C to +75°C, non-condensing

Power Supply:

Module – 12 VDC (AFI Part # PS-12D)
 Rack Card – AFI SR 20/2

Size:

Module 4¼" x 4¼" x 1⅛"
 Rack Card requires -1 rack slot– 6½"x5"x1"

Product Ordering Information:

MTM-710SL Module Transmitter
 MRM-710SL Module Receiver

RRM-710SL Rack Card Receiver
 1 Channel

RRM-720SL Rack Card Receiver
 2 Channels

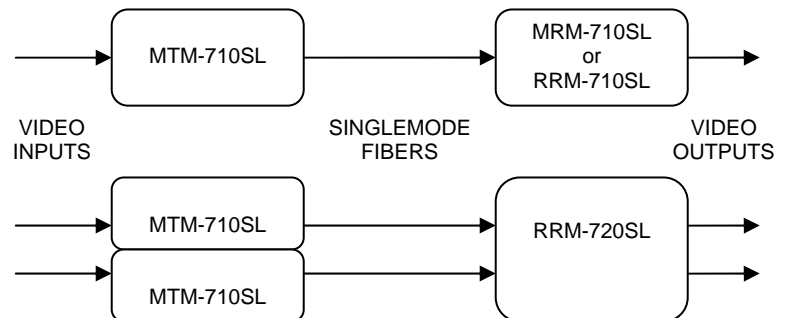
Add - ST to order with ST optical connectors
 FC is the default optical connector



The American Fibertek M710SL Series transmits one channel of high-quality 10 bit digitized video on one singlemode optical fiber over a distance of up to 30 km. The rack card receivers are available in a single channel M710SL or a two channel M720SL configuration. The M720SL utilizes 2 fibers, one for each channel.

Designed to be completely transparent to all camera and monitor manufacturers, this system requires no field adjustments at installation or additional maintenance thereafter. Diagnostic indicators provide a quick visual indication of system status.

Equipment may be ordered as stand alone modules or rack cards that are mounted in the American Fibertek Card Cages: SR-20/2 or SR-20H/2.



12/20/14JPK