



**M910
SERIES
MULTIMODE**

SINGLE CHANNEL DIGITAL VIDEO SYSTEM

Features:

- ◆ Compatible with NTSC, (RS – 170A & RS –343A), PAL and SECAM
- ◆ Diagnostics: Video, DC Power, Digital Frame Sync, OLI
- ◆ 10 Bit Digital Video Transmission
- ◆ Serial Digital Transmission

Specifications:

Video:

I/O Level 1 Vp-p (±3 dB)
 I/O Impedance 75 Ohms
 Bandwidth 7 MHz
 Differential Gain 2 %
 Differential Phase 0.7 °
 SNR (Unified Weighted) 67 dB
 Connector BNC

Optical:

Wavelength 1310nm
 Loss Budget (62.5/125µ) 12 dB
 Transmission Distance 8 km
 Connector ST

Temperature (Operating)

-40°C to +75°C, non-condensing

Power Supply:

Module – 12 VDC (AFI Part # PS-12D)
 Rack Card – AFI SR 20/2

Size:

Module 4¼" x 4¼" x 1⅛"
 Rack Card requires -1 rack slot– 6½"x5"x1"

Product Ordering Information:

MTM-910 Module Transmitter
 MRM-910 Module Receiver

RRM-910 Rack Card Receiver
 1 Channel

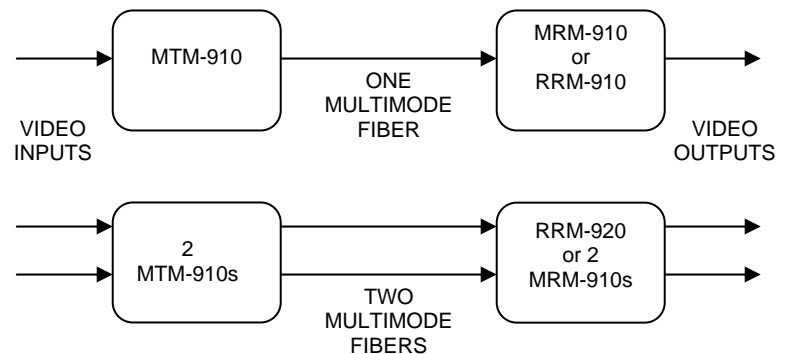
RRM-920 Rack Card Receiver
 2 Channels



The American Fibertek M910 Series transmits one channel of high-quality 10 bit digitized video on one multimode optical fiber over a distance of up to 8 km. The receiver rack cards are available in a single channel M910 or a two channel M920 configuration. The M920 utilizes 2 fibers, one for each channel.

Designed to be completely transparent to all camera and monitor manufacturers, this system requires no field adjustments at installation or additional maintenance thereafter. Diagnostic indicators provide a quick visual indication of system status.

Equipment may be ordered as stand alone modules or rack cards that are mounted in the American Fibertek Card Cages: SR-20/2 or SR-20H/2(redundant power supply).



2/8/15 JPK