



FOUR CHANNEL DIGITAL VIDEO SYSTEM

**904
SERIES
MULTIMODE**

Features:

- ◆ Compatible with NTSC, (RS – 170A & RS –343A), PAL and SECAM
- ◆ Diagnostics: Video, DC Power, Digital Frame Sync, OLI
- ◆ Available with Enhanced "Afinety" Intelligent Monitoring System
- ◆ 8 Bit Digital Video Transmission
- ◆ Serial Digital Transmission

Specifications:

Video:

I/O Level 1 Vp-p (± 3 dB)
 I/O Impedance 75 Ohms
 Bandwidth 7 MHz
 Differential Gain 2 %
 Differential Phase 0.7 °
 SNR (Unified Weighted) 55 dB
 Connector BNC

Optical

Wavelength 1310 nm
 Loss Budget (62/125 μ) 12 dB
 Maximum Distance 2 Km
 (Limited by Fiber Dispersion)
 Connector ST

Temperature (Operating)

-40°C to +75°C, non-condensing

Power Supply:

Module : 12 VDC
 (AFI Part#: PS-12D)
 Rackcard: SR20/2

Size:

Module 8 1/8" x 4 1/8" x 1 1/8 "
 Rack Card-1 rack slot 6 1/2" x 5" x 1"
 Maximum Loading: ... 10 Cards per SR-20/2

Ordering information:

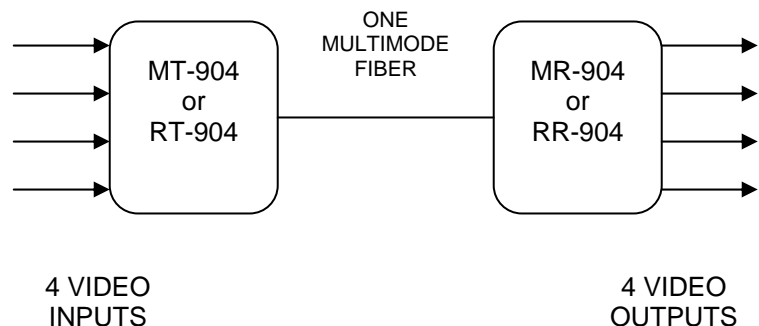
MT-904 Module Transmitter
 MR-904 Module Receiver
 RT-904 Rack Card Transmitter
 RR-904 Rack Card Receiver

Example: RT-904 to RR-904



The American Fibertek 904 Series transmits four channels of high-quality 8 bit digitized video on one multimode optical fiber. Designed to be completely transparent to all camera and monitor manufacturers, this system requires no field adjustments at installation or additional maintenance thereafter. Diagnostic indicators provide a quick visual indication of system status. **The "Afinety" intelligent remote monitoring system is available on this product, please consult factory.**

Equipment may be ordered as stand alone modules or rack cards that are mounted in the American Fibertek Card Cages: SR-20/2 or SR-20R/1.



5/014/07