



**91600C-SL
SERIES
SINGLE MODE**

16 CHANNEL DIGITAL VIDEO SYSTEM

Features:

- ◆ Compatible with NTSC, (RS – 170A & RS –343A), PAL and SECAM
- ◆ Diagnostics: Video, DC Power, OLI
- ◆ Automatic Resettable Fuses on Power Lines
- ◆ 10 Bit Digital Video Transmission

Specifications:

Video:

I/O Level 1 Vp-p (±3 dB)
 I/O Impedance 75 Ohms
 Bandwidth 7 MHz
 Differential Gain 2 %
 Differential Phase 0.7 °
 SNR (Unified Weighted) 65 dB
 Connector BNC

Optical

Wavelengths 1310/1550 nm
 Loss Budget (9/125µ) 21dB
 Connector FC

Environmental

Operating Temp.....-40°C to +75°C
 Storage Temp.....-40°C to +85°C
 Humidity....0% to 95% (non condensing)
 MTBF.....>100,000 hours

Power Supply:

Universal Power Input
 100 to 240 VAC, 50 to 60 Hz, 55 W

Size:

1RU 1.75" High x 19" Wide x 12" Deep

Ordering information:

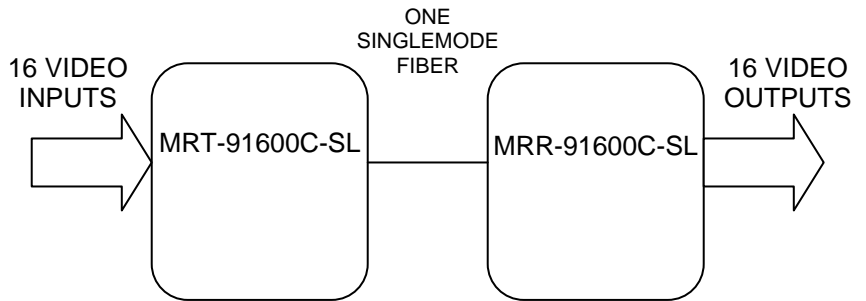
MRT-91600C-SL = Video Transmitter
 MRR-91600C-SL= Video Receiver
 Example:
MRT-91600C-SL to MRR-91600C-SL



The American Fibertek 91600C Series transmits 16 channels of high-quality 10 Bit digitized video on one singlemode optical fiber using WDM technology.

Designed to be completely transparent to all camera and monitor manufacturers, this system requires no field adjustments at installation or additional maintenance thereafter. Diagnostic indicators provide a quick visual indication of system status.

Equipment consists of a 1 RU housing which contains the Video and the WDM passive optics.



10/01/2013 JPK