



**M1410
M1420
SERIES
MULTIMODE**

Single Fiber Bi-directional Transceivers - One-Way Video and Reverse Channel RS422 for Pelco Spectra IV



FEATURES:

- Plugs Directly into Spectra III or IV Back-Box
- Single Fiber Video and PTZ Control
- Derives Power from Dome
- Module or Rack Card Receiver
- Compatible with Protocol P or D
- Completely Transparent Installation
- Optical AGC

SPECIFICATIONS:

Video:

I/O Level1 Vpp
 I/O Impedance75 Ohms
 Bandwidth6 MHz
 Differential Gain5%
 Differential Phase.....3°
 SNR60 dB

Data:

Data RateDC to 19.2 Kbps
 Data Interface RS422

Optical:

Wavelength850/1300 nm
 Loss Budget (62.5/125µ)..... 12 dB
 ConnectorST

Temperature (Operating):

-40°C to +74°C, non-condensing

Power Supply:

MTM-1410 - 12 VDC (From Spectra IV Dome)
 Power Consumption2 Watts
 MRM-1410 - 12 VDC (AFI Part #: PS-12)
 Power Consumption3 Watts
 Rack Card (See AFI Part #: SR-20D/2)
 Power Consumption4 Watts

Size:

Transmitter - 3" x 2.1" x 3/4"
 Module Receiver - 4 1/2" x 4 1/4" x 1 1/8"
 Rack Card - 6 1/2" x 1" x 5"

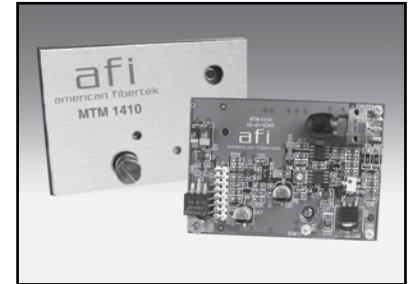
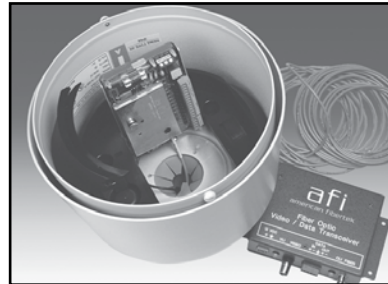
ORDERING INFORMATION:

MTM = Module Transmitter - Field Unit
 MRM = Module Receiver - Control Site
 RRM-1410 = Rack Card Receiver
 RRM1420 = Dual Rack Card Receiver

Example:

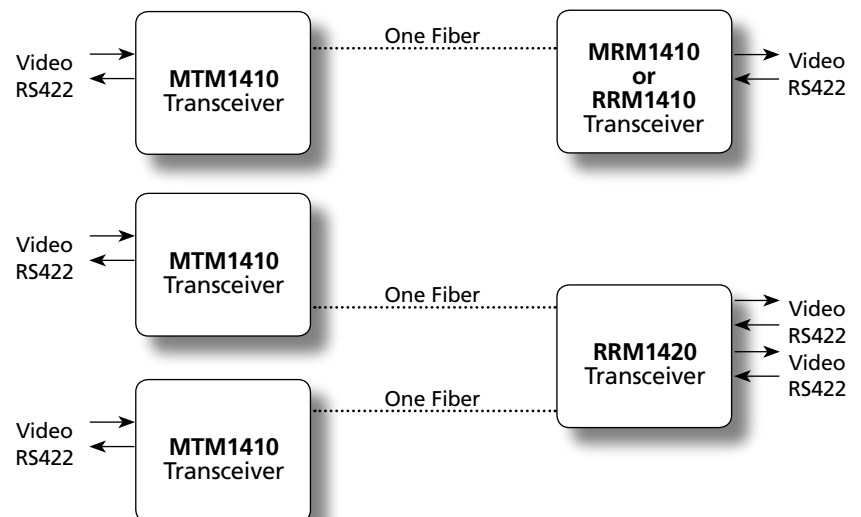
Module video TX to rack card RX:
 MTM-1410 to RRM-1410

Module video TX to Module RX:
 MTM-1410 to MRM-1410



The American Fibertek M1410 Series is a low cost, low profile video and reverse data transceiver system. The video transmitter is specifically designed to plug into the back box of the Pelco Spectra camera dome. The system utilizes ONE multimode optical fiber to transmit video and return RS422 Protocol P or D for camera PTZ control. Designed to be completely transparent, this system requires no field adjustments at installation or additional maintenance thereafter.

Compatible video receivers may be ordered as stand alone modules or rack cards that are mounted in the American Fibertek Card Cages: SR-20D/2 or SR-20R/1. Using the 1420 Series Receiver, card cage density can be doubled. Example: SR-20D/2 would accommodate 28 receivers using the RRM-1420 Rack Card.



SEE WEBSITE FOR CURRENT RoHS PRODUCT AVAILABILITY