



**915C-SL
SERIES
SINGLEMODE**

**SINGLE CHANNEL DIGITAL VIDEO SYSTEM WITH ONE
BI-DIRECTIONAL MULTI-PROTOCOL DATA CHANNEL
AND A BI-DIRECTIONAL CONTACT CLOSURE**

Features:

- ◆ Compatible with NTSC, (RS – 170A & RS –343A), PAL and SECAM
- ◆ Diagnostics: Video, DC Power, Digital Frame Sync, OLI, Data Activity
- ◆ Available with Enhanced "Afinety" Intelligent Monitoring System
- ◆ 10 Bit Digital Video Transmission
- ◆ Serial Digital Transmission

Specifications:

Video:

I/O Level1 Vp-p (±3 dB)
 I/O Impedance 75 Ohms
 Bandwidth7 MHz
 Differential Gain2 %
 Differential Phase.....0.7 °
 SNR (Unified Weighted).....65 dB
 Connector BNC

Data:

Data Protocol Interface
 -485(2 or 4 Wire)
 -RS422
 -RS232
 -Manchester
 Data FormatAsynchronous, Serial
 Data Rate DC to 115 Kbs
 Connector5 Pin Screw Terminals

Contact Closure:

InputSwitch Closure to Ground
 OutputDry Contact
 Response Time 2 mS
 Max Voltage 100 VDC or Peak AC
 Max Current 0.5 A
 Connector Terminal Block

Optical:

Wavelength 1310/1550nm
 Loss Budget (9/125µ).....21 dB
 Connector FC/PC

Temperature (Operating)

-40°C to +75°C, non-condensing

Power Supply:

Module 12 VDC (AFI Part # PS-12D)
 Rack Card AFI SR-20/2

Size:

Module 8 1/8" x 4 1/8" x 1 1/8 "
 Rack Card requires 1rack slot – 6 1/2" x5"x1"

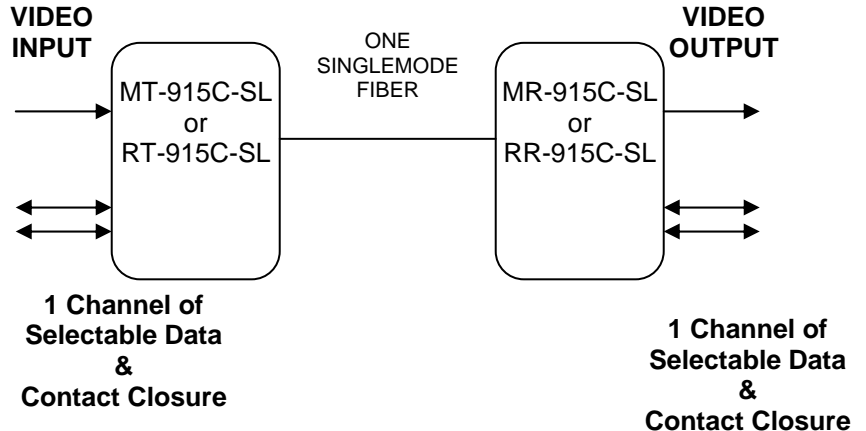
Product Ordering Information:

MT-915C-SL Module Transmitter
 MR-915C-SL Module Receiver
 RT-915C-SL Rack Card Transmitter
 RR-915C-SL Rack Card Receiver



The American Fibertek 915C-SL Series transmits one channel of high-quality 10 bit digitized video plus one channel of multi-protocol data and a contact closure on one singlemode optical fiber using WDM technology. Designed to be completely transparent to all camera and monitor manufacturers, this system requires no field adjustments at installation or additional maintenance thereafter. Diagnostic indicators provide a quick visual indication of system status. **The "Afinety" intelligent remote monitoring system is available on this product, please consult factory.**

Equipment may be ordered as stand alone modules or rack cards that are mounted in the American Fibertek Card Cages: SR-20/2



10/12/14JPK