



**91P3335E-SL
Series
Singlemode**

One Way Digital Video, (2 Ports) 10/100Base-TX Ethernet, (3) RS232 Data, and (1) RS485 Transceiver

SPECIFICATIONS:

Video:

I/O Level 1Vp-p
 I/O Impedance 75 Ω
 Bandwidth 7 MHz
 Differential Gain 2%
 Differential Phase 0.7°
 SNR 67 dB
 Connector BNC

Ethernet: 2 Ports

Data Rate:
 Auto negotiated 10/100 Mb/s
 Connector RJ45

Data :

Interface (3 channels) RS-232
 (1 channel) RS-485 (2 or 4 wire)
 Format Asynchronous
 Rate DC to 115 Kbit/s
 Connector DB26 to Terminal Block Adapter

Optical:

Wavelength 1300/1550nm
 Loss Budget (9/125μ) 15 dB
 Distance 20 km
 Connector FC

Temperature (Operating)

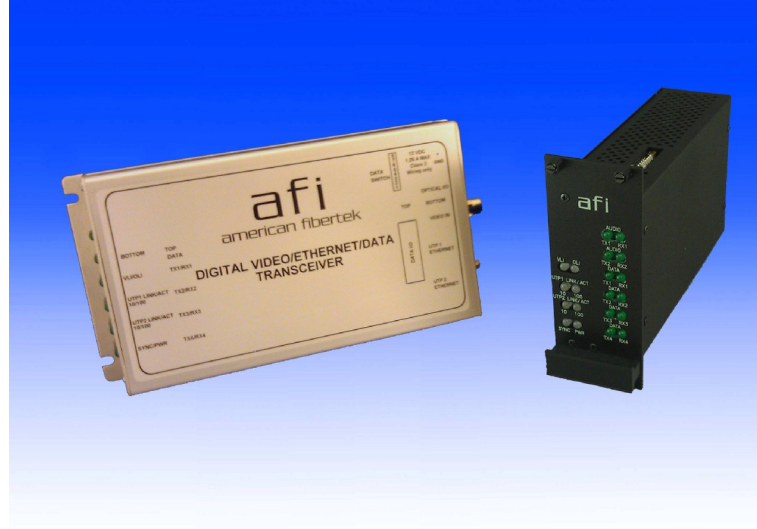
-40°C to +75°C, non-condensing

Power Supply:

Module – 12 VDC (AFI Part # PS-12D+)
 Rack Card – AFI SR 20/2

Size:

Module - 8 1/8" x 4 1/8" x 1 5/8"
 Rack Card (2 rack slots) 6 1/2" x 2" x 5"



The American Fibertek 91P3335E-SL Series transmits high-quality, state of the art, 10-bit digital video, (2 Ports) 10/100Base-TX Ethernet, (3) RS232 Data channels, and (1) RS485 Data channel on one singlemode optical fiber. Diagnostic indicators provide a quick visual indication of system status.

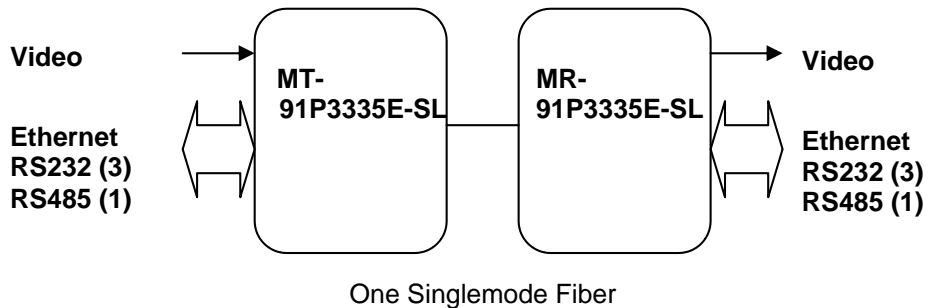
The Ethernet interface is designed to be completely transparent with auto negotiation features which automatically configures the unit for the correct speed (10/100 BaseTX). Auto MDI/MDIX operation eliminates the potential need for crossover cables.

Designed to be completely transparent, this system requires no field adjustments at installation or additional maintenance thereafter.

Equipment may be ordered as stand alone modules or rack cards that are mounted in the American Fibertek Card Cages: SR-20R/1 or SR20/2. The "Afinety" intelligent remote monitoring system is available on this product, please consult factory

Product Ordering Information:

MT-91P3335E-SL	Module Transmitter
MR-91P3335E-SL	Module Receiver
RT-91P3335E-SL	Rack Card Transmitter
RR-91P3335E-SL	Rack Card Receiver



1/11/11 JPK