



# Single Channel Digital Video Transmission System With Bi-Directional Audio and Two Contact Closure Channels

**91P899  
SERIES  
MULTIMODE  
SINGLEMODE**



**FEATURES:**

- Compatible with NTSC; RS-170A & RS-343A, PAL, and SECAM
- 10 Bit Digital Video Transmission
- Diagnostics: Video, DC Power, Audio Activity, Contact Closure Activity, Digital Frame Sync, and Optical Presence
- Serial Digital Transmission
- Available with Enhanced "Afinety" Intelligent Monitoring System

**SPECIFICATIONS:**

**Video:**

I/O Level .....	1 Vpp
I/O Impedance .....	75 Ohms
Bandwidth .....	7 MHz
Differential Gain .....	2%
Differential Phase.....	0.7 °
SNR.....	65 dB
Connector .....	BNC

**Audio:**

I/O Level @ 600 Ohms: .....	0 dBm (typ)
I/O Level @ 600 Ohms: .....	14 dBm (max)
Bandwidth .....	20 Hz to 20 KHz
THD @ 1 KHz .....	0.03%
SNR.....	95 dB @ 14 dBm
Connector .....	Terminal Block

**Contact Closure:**

Input.....	Switch Closure to Ground
Output .....	Dry Contact
Response Time.....	2 ms
Maximum Voltage.....	100 VDC or Peak AC
Maximum Current.....	0.5 amp
Connector .....	Terminal Block

**Optical (91P899 Series):**

Wavelength .....	1310/1550 nm
Loss Budget (62.5/125µ).....	12 dB
Maximum Transmission Distance .....	4 Km
Connector .....	ST

**Optical (91P899SL Series):**

Wavelength .....	1310/1550 nm
Loss Budget (9/125µ).....	21 dB
Connector .....	FC/PC

**Temperature (Operating):**

-40°C to +75°C, non-condensing

**Power Supply:**

Module - 12 VDC (AFI Part #: PS-12D)  
Rack Card (See AFI Part #: SR-20D/2)

**Size:**

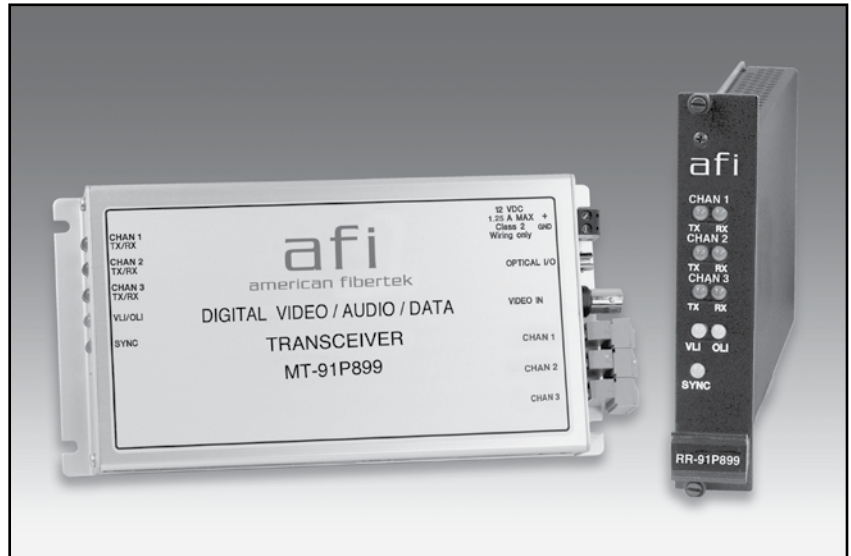
Module - 8 1/8" x 4 1/8" x 1 1/8"  
Rack Card - 6 1/2" x 1" x 5"

**MULTIMODE ORDERING INFORMATION:**

MT-91P899 = Module Transmitter  
RT-91P899 = Rack Card Transmitter  
MR-91P899 = Module Receiver  
RR-91P899 = Rack Card Receiver

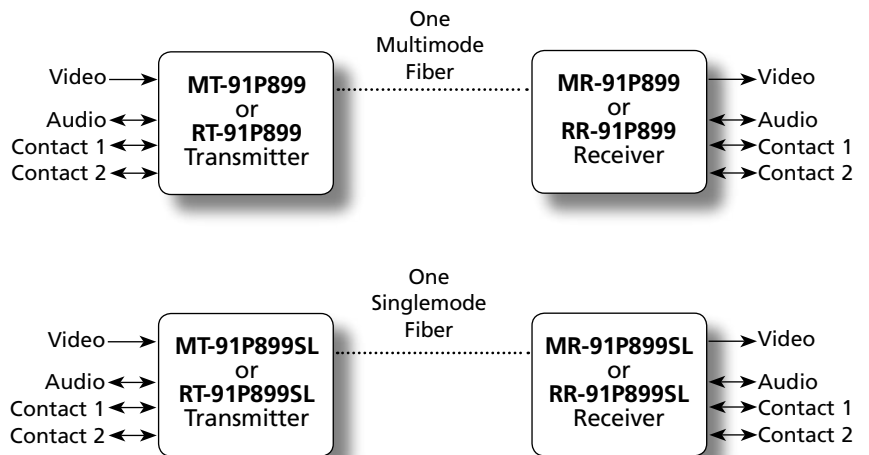
**SINGLEMODE ORDERING INFORMATION:**

MT-91P899SL = Module Transmitter  
RT-91P899SL = Rack Card Transmitter  
MR-91P899SL = Module Receiver  
RR-91P899SL = Rack Card Receiver



The American Fibertek 91P589 Series transmits one channel of high-quality, 10 bit digitized video along with one channel of bi-directional audio, and two channels of bi-directional contact closure on one multimode optical fiber. The 91P589SL Series transmits one channel of high-quality, 10 bit digitized video along with one channel of bi-directional audio, and two channels of bi-directional contact closure on one singlemode optical fiber. Designed to be completely transparent to all camera and monitor manufacturers, the system requires no field adjustments at installation or additional maintenance thereafter. Diagnostic indicators provide a quick visual indication of system status. **The "Afinety" remote monitoring system is available on this product, please consult factory.**

Equipment may be ordered as stand alone modules or rack cards that are mounted in SR-20D/2 or SR-20R/1 American Fibertek Card Cages



**SEE WEBSITE FOR CURRENT RoHS PRODUCT AVAILABILITY**