



**91P58E-SL  
Series  
Singlemode**

**One Way Digital Video, (2) 10/100Base-TX  
Ethernet, (2) Audio, & 1 Multi-Protocol Data**

**SPECIFICATIONS:**

**Video:**

I/O Level ..... 1Vp-p  
 I/O Impedance ..... 75 Ω  
 Bandwidth ..... 7 MHz  
 Differential Gain ..... 2%  
 Differential Phase ..... 0.7°  
 SNR ..... 67 dB  
 Connector ..... BNC

**Ethernet: (2 ports)**

Data Rate:  
 Auto negotiated ..... 10/100 Mb/s  
 Connector ..... RJ45

**Optical:**

Wavelength ..... 1300/1550nm  
 Loss Budget (9/125μ) ..... 15 dB  
 Distance ..... 20 km  
 Connector ..... FC

**Audio: (2 channels)**

I/O Level @ 600 Ohms ..... 0 dBm  
 Bandwidth ..... 20 Hz to 10 KHz  
 THD @ 1 KHz ..... 1%  
 SNR ..... 80 dB  
 Connector ..... Terminal Block

**Data :**

Interface ..... Selectable Multi-protocol  
 Choice of: RS-485 (2 or 4 wire),  
 RS-422,  
 RS-232  
 Manchester

Format ..... Asynchronous  
 Rate ..... DC to 115 Kbit/s  
 Connector ..... Terminal Block

**Temperature (Operating)**

-40°C to +75°C, non-condensing

**Power Supply:**

Module – 12 VDC (AFI Part # PS-12D)  
 Rack Card – AFI SR 20/2

**Size:**

Module - 8 1/8" x 4 1/8" x 1 5/8"  
 Rack Card requires 1 rack slot – 6 1/2"x2"x5"



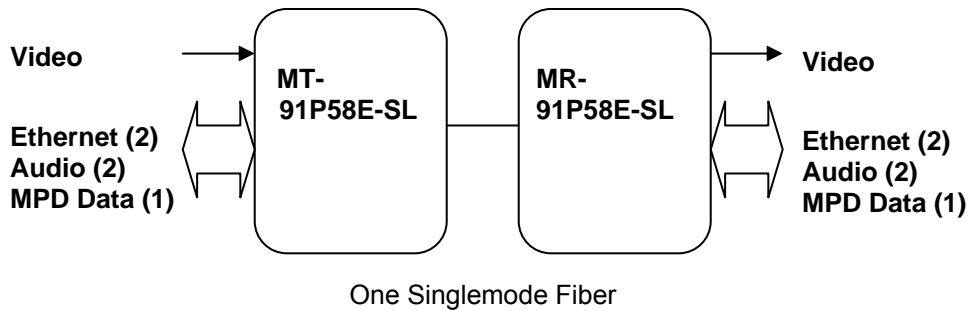
The American Fibertek 91P58E-SL Series transmits high-quality, state of the art, 10-bit digital video, (2) 10/100Base-TX Ethernet ports, (2) Audio channels, and up 1 Multi-Protocol Data on one singlemode optical fiber. Diagnostic indicators provide a quick visual indication of system status.

Designed to be completely transparent, this system requires no field adjustments at installation or additional maintenance thereafter.

Equipment may be ordered as stand alone modules or rack cards that are mounted in the American Fibertek Card Cage: SR20/2.

**Product Ordering Information:**

MT-91P58E-SL	Module Transmitter
MR-91P58E-SL	Module Receiver
RT-91P58E-SL	Rack Card Transmitter
RR-91P58E-SL	Rack Card Receiver



7/8/12 JPK