



**91P5E-SL
Series
Singlemode**

**One Way Digital Video, (2) 10/100Base-TX
Ethernet & 1 Multi-Protocol Data**

SPECIFICATIONS:

Video:

I/O Level 1Vp-p
 I/O Impedance 75 Ω
 Bandwidth 7 MHz
 Differential Gain 2%
 Differential Phase 0.7°
 SNR 67 dB
 Connector BNC

Ethernet: (2 ports)

Data Rate:
 Auto negotiated 10/100 Mb/s
 Connector RJ45

Optical:

Wavelength 1310/1550nm
 Loss Budget (9/125μ) 15 dB
 Distance 20 km
 Connector FC

Data :

Interface Selectable Multi-protocol
 Choice of: RS-485 (2 or 4 wire),
 RS-422,
 RS-232
 Manchester
 Format Asynchronous
 Rate DC to 115 Kbit/s
 Connector Terminal Block

Temperature (Operating)

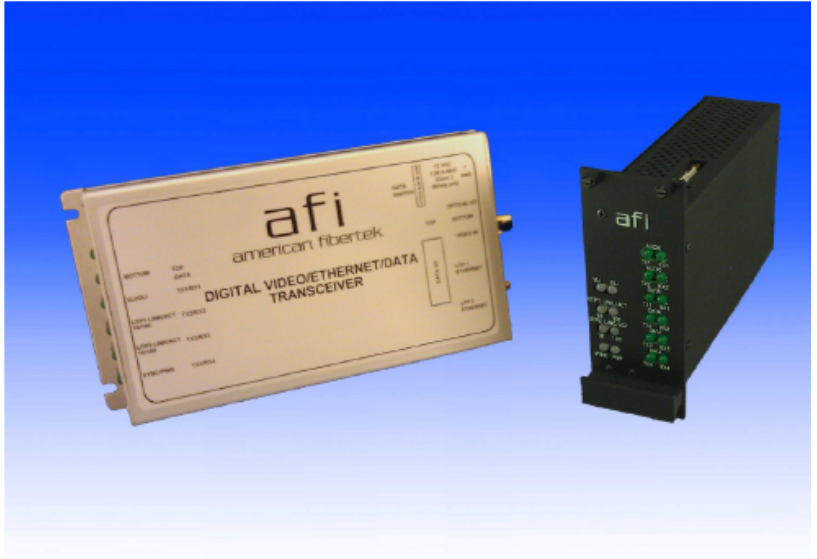
-40°C to +75°C, non-condensing

Power Supply:

Module – 12 VDC (AFI Part # PS-12D)
 Rack Card – AFI SR 20/2

Size:

Module - 8 1/8" x 4 1/8" x 1 5/8"
 Rack Card requires 1 rack slot – 6 1/2"x2"x5"



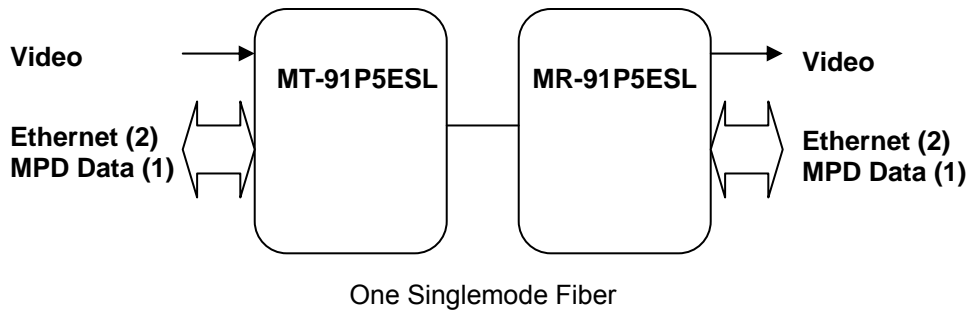
The American Fibertek 91P5E-SL Series transmits high-quality, state of the art, 10-bit digital video, provides 2 10/100Base-TX Ethernet ports and 1 Multi-Protocol Data on one singlemode optical fiber. Diagnostic indicators provide a quick visual indication of system status.

Designed to be completely transparent, this system requires no field adjustments at installation or additional maintenance thereafter.

Equipment may be ordered as stand alone modules or rack cards that are mounted in the American Fibertek Card Cage: SR20/2.

Product Ordering Information:

MT-91P5E-SL	Module Transmitter
MR-91P5E-SL	Module Receiver
RT-91P5E-SL	Rack Card Transmitter
RR-91P5E-SL	Rack Card Receiver



7/8/12 JPK