



**91P5E
Series
Multimode**

One Way Digital Video, (2 ports) 10/100Base-TX Ethernet, (1) Multi-Protocol Data Channels Transceiver

SPECIFICATIONS:

Video:

I/O Level 1Vp-p
 I/O Impedance 75 Ω
 Bandwidth 7 MHz
 Differential Gain 2%
 Differential Phase 0.7°
 SNR 67 dB
 Connector BNC

Ethernet: (2 ports)

Data Rate:
 Auto negotiated 10/100 Mb/s
 Connector RJ45

Data :

Interface Selectable Multi-protocol
 Choice of: RS-485 (2 or 4 wire),
 RS-422,
 RS-232
 Manchester

Format Asynchronous
 Rate DC to 115 Kbit/s
 Connector Terminal Block

Optical:

Wavelength 1300/1550nm
 Loss Budget (62/125μ) 12 dB
 Distance 2 km
 Connector ST

Temperature (Operating)

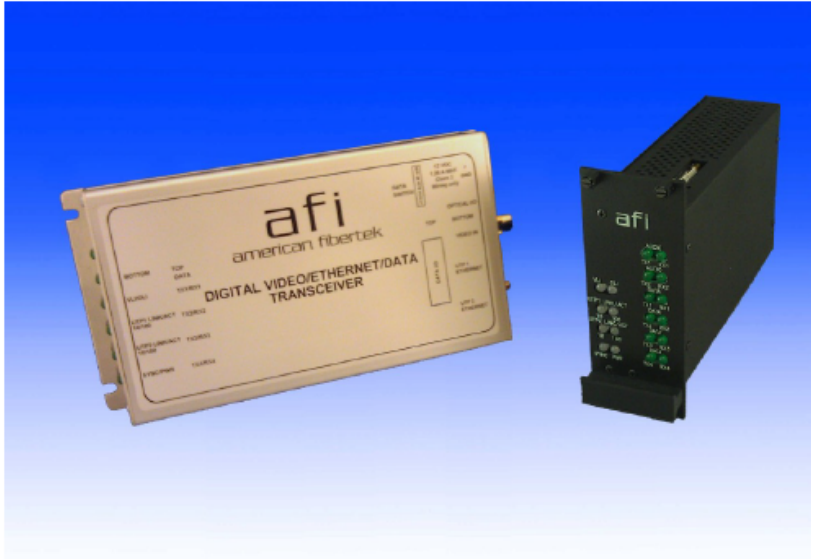
-40°C to +75°C, non-condensing

Power Supply:

Module – 12 VDC (AFI Part # PS-12D)
 Rack Card – AFI SR 20/2

Size:

Module - 8 1/8" x 4 1/8" x 1 5/8"
 Rack Card (2 rack slots) 6 1/2" x 2" x 5"



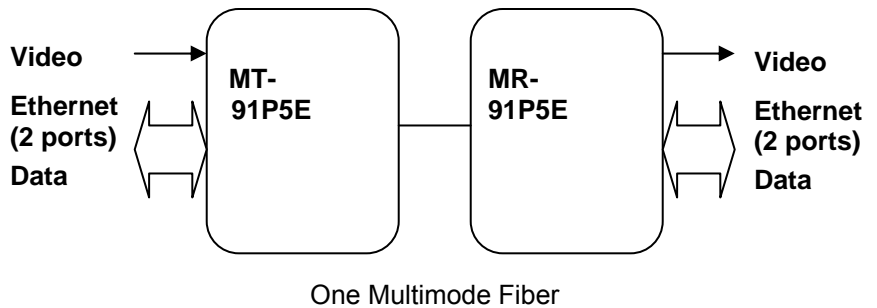
The American Fibertek 91P5E Series transmits high-quality, state of the art, digital video, (2 ports) 10/100Base-TX Ethernet, and (1) Multi-Protocol Data Channels on one multimode optical fiber. Diagnostic indicators provide a quick visual indication of system status.

Designed to be completely transparent, this system requires no field adjustments at installation or additional maintenance thereafter.

Equipment may be ordered as stand alone modules or rack cards that are mounted in the American Fibertek Card Cages: SR20/2 or SR20H/2 (redundant power supplies).

Product Ordering Information:

MT-91P5E	Module Transmitter
MR-91P5E	Module Receiver
RT-91P5E	Rack Card Transmitter
RR-91P5E	Rack Card Receiver



9/1/15 JPK