



**981
SERIES
MULTIMODE**

**EIGHT CHANNEL DIGITAL VIDEO SYSTEM WITH A
BI-DIRECTIONAL SENSORNET DATA CHANNEL**

Features:

- ◆ Compatible with NTSC, (RS – 170A & RS –343A), PAL and SECAM
- ◆ Diagnostics: Video, DC Power, Digital Frame Sync, OLI, Data Activity
- ◆ Available with Enhanced "Afinety" Intelligent Monitoring System
- ◆ 10 Bit Digital Video Transmission
- ◆ Serial Digital Transmission

Specifications:

Video:

I/O Level 1 V p-p (±3 dB)
 I/O Impedance 75 Ohms
 Bandwidth7 MHz
 Differential Gain2 %
 Differential Phase0.7°
 SNR (Unified Weighted).....65 dB
 Connector BNC

Data:

Rate.....230.4 Kbps
 Connector.....5 pin screw terminal

Optical

Wavelength.....1310/1550 nm
 Loss Budget (62/125µ).....12 dB
 Maximum Distance1 Km
 (Limited by Fiber Dispersion)
 Connector ST

Temperature (Operating)

-40°C to +75°C, non-condensing

Power Supply:

Rack card: SR20/2

Size:

Module:..... 8 1/8" x 4 1/4" x 1 1/8"
 Rack Card 2 rack slots 6 1/2" x 5" x 2"
 Maximum Loading: 7 Cards per SR-20/2

Ordering information:

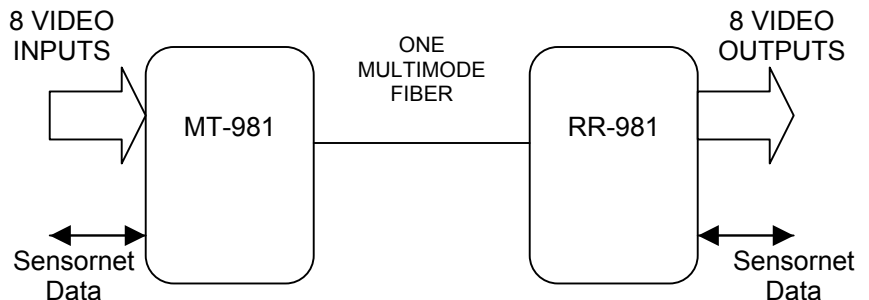
RT-981 Rack Card Transceiver
 RR-981 Rack Card Transceiver
 MT-981 Module Transceiver
 MR-981 Module Transceiver

Example: MT-981 to RR-981



The American Fibertek 981 Series transmits eight channels of high-quality 10 bit digitized video and one channel of Sensornet data protocol on one multimode optical fiber using WDM technology. Designed to be completely transparent to all AD/Tyco Sensornet camera control and monitor technology, this system requires no field adjustments at installation or additional maintenance thereafter. Diagnostic indicators provide a quick visual indication of system status. **The "Afinety" intelligent remote monitoring system is available on this product, please consult factory.**

Equipment may be ordered as modules or rack cards. These are mounted in the American Fibertek Card Cages: SR-20/2 or SR-20R/1.



5/02/06