



**985C-SL  
SERIES  
SINGLEMODE**

**EIGHT CHANNEL DIGITAL VIDEO SYSTEM WITH TWO BI-DIRECTIONAL MULTI-PROTOCOL DATA CHANNELS**

**Features:**

- ◆ Compatible with NTSC, (RS – 170A & RS –343A), PAL and SECAM
- ◆ Diagnostics: Video, DC Power, OLI, Data Activity
- ◆ Automatic Resettable Fuses on Power Lines
- ◆ 10 Bit Digital Video Transmission
- ◆ Multi-Protocol Data

**Specifications:**

**Video:**

I/O Level.....1 Vp-p (±3 dB)  
 I/O Impedance..... 75 Ohms  
 Bandwidth..... 7 MHz  
 Differential Gain..... <2 %  
 Differential Phase ..... <0.7 °  
 SNR (Unified Weighted) ..... 65 dB  
 Connector.....BNC

**Data:**

Number of Channels.....2 (Full Duplex)  
 Interface.....Selectable Multi-protocol  
 Choice of: RS485 (2 or 4 wire),  
 RS422,  
 RS232,  
 Manchester

Data Format ..... Asynchronous, Serial  
 Data Rate ..... DC to 115 Kbs (NRZ)  
 Connector.....5 Pin Screw Terminal

**Optical**

Wavelength ..... 1310/1550 nm  
 Loss Budget (9/125µ) ..... 15 dB  
 Connector.....FC

**Environmental**

Operating Temp.....-40°C to +75°C  
 Storage Temp.....-40°C to +85°C  
 Humidity.....0% to 95% (non condensing)  
 MTBF.....>100,000 hours

**Power Supply:**

Universal Power Input  
 100 to 240 VAC, 50 to 60 Hz, 55 W

**Size:**

1RU: 1.75" High x 19" Wide x 12" Deep

**Ordering information:**

MTX= Video/Data Transmitter /  
 Data Receiver

MRX= Video/Data Receiver /  
 Data Transmitter

Example:

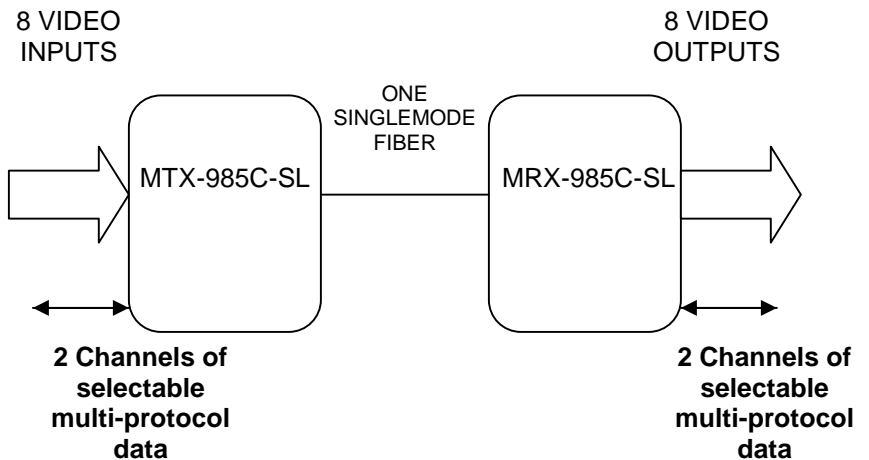
**MTX-985C-SL to MRX-985C-SL**



The American Fibertek 985C-SL Series transmits 8 channels of high-quality 10 Bit digitized video and two channels of user selectable multi-protocol data on one singlemode optical fiber using WDM technology. The available data channels are RS485 (2 or 4 wire), RS422, RS232 and Manchester. Data rates up to 115 kbs are supported.

Designed to be completely transparent to all camera and monitor manufacturers, this system requires no field adjustments at installation or additional maintenance thereafter. Diagnostic indicators provide a quick visual indication of system status.

Equipment consists of a 1 RU housing which contains the Video and the WDM passive optics.



10/01/2012 JPK