



**98P2222
SERIES
MULTIMODE**

EIGHT CHANNEL DIGITAL VIDEO SYSTEM WITH FOUR RETURN MANCHESTER DATA CHANNELS

Features:

- ◆ Compatible with NTSC, (RS – 170A & RS –343A), PAL and SECAM
- ◆ Diagnostics: Video, DC Power, OLI, Data Activity
- ◆ Automatic Resettable Fuses on Power Lines
- ◆ Digital Video Transmission
- ◆ Manchester Data

Specifications:

Video:

I/O Level1 Vp-p (±3 dB)
 I/O Impedance 75 Ohms
 Bandwidth7 MHz
 Differential Gain<2 %
 Differential Phase.....<0.7 °
 SNR (Unified Weighted)..... >55 dB
 Connector BNC

Data:

Number of Channels.....4 (Return)
 Interface.....Manchester
 Data FormatAsynchronous, Serial
 Data RateDC to 115 Kbs (NRZ)
 Connector5 Pin Screw Terminals

Optical

Wavelength 850/1310/1550 nm
 Loss Budget (62/125µ).....12 dB
 Maximum Distance1 Km
 (Limited by Fiber Dispersion)
 Connector ST

Environmental

Operating Temp.....-40°C to +75°C
 Storage Temp.....-40°C to +85°C
 Humidity.....0% to 95% (non condensing)
 MTBF.....>100,000 hours

Power Supply:

Universal Power Input
 100 to 240 VAC, 50 to 60 Hz, 55 W

Size:

1RU: 1.75" High x 19" Wide x 12" Deep

Ordering information:

MTX= Video/Data Transmitter /
 Data Receiver
 MRX= Video/Data Receiver /
 Data Transmitter

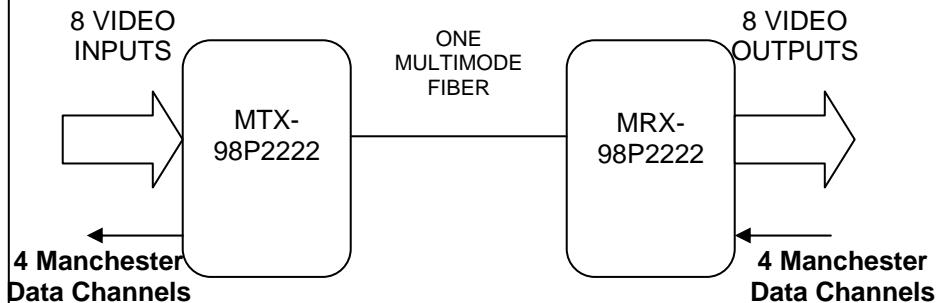
Example:
MTX-98P2222 to MRX-98P2222



The American Fibertek 98P2222C Series transmits 8 channels of high-quality digitized video and four Manchester return data channels on one multimode optical fiber using WDM technology. Data rates up to 115 kbs are supported. Diagnostic indicators provide a quick visual indication of system status.

Designed to be completely transparent to all camera and monitor manufacturers, this system requires no field adjustments at installation or additional maintenance thereafter.

Equipment consists of a 1 RU housing which contains the Video, Data and WDM components.



2/18/2014 JPK