



**98P58SL
SERIES
SINGLEMODE**

EIGHT CHANNEL DIGITAL VIDEO SYSTEM WITH BI-DIRECTIONAL MULTI-PROTOCOL DATA AND AUDIO CHANNELS

Features:

- ◆ Compatible with NTSC, (RS – 170A & RS –343A), PAL and SECAM
- ◆ Diagnostics: Video, DC Power, OLI, Data Activity
- ◆ Automatic Resettable Fuses on Power Lines
- ◆ 10 Bit Digital Video Transmission
- ◆ Multi-Protocol Data

Specifications:

Video:

I/O Level1 Vp-p (±3 dB)
 I/O Impedance 75 Ohms
 Bandwidth7 MHz
 Differential Gain<2 %
 Differential Phase.....<0.7 °
 SNR (Unified Weighted).....65 dB
 Connector BNC

Data:

Number of Channels.....2 (Full Duplex)
 Interface.....Selectable Multi-protocol
 Choice of: RS485 (2 or 4 wire),
 RS422,
 RS232,
 Manchester

Data FormatAsynchronous, Serial
 Data Rate.....DC to 115 Kbs (NRZ)
 Connector5 Pin Screw Terminal

Audio:

I/O Level (balanced) 0 dBm
 Impedance.....600 ohms
 Bandwidth20 Hz to 20 KHz
 THD @ 1 KHz0.1%
 SNR..... 80 dB
 Connector.....5 Pin Screw Terminal

Optical

Wavelength 1310/1550 nm
 Loss Budget (9/125µ).....15 dB
 Connector FC

Environmental

Operating Temp.....-40°C to +75°C
 Storage Temp.....-40°C to +85°C
 Humidity.....0% to 95% (non condensing)
 MTBF.....>100,000 hours

Power Supply:

Universal Power Input
 100 to 240 VAC, 50 to 60 Hz, 55 W

Size:

1RU: 1.75" High x 19" Wide x 12" Deep

Ordering information:

MTX= Video/Data Transmitter /
 Data Receiver
 MRX= Video/Data Receiver /
 Data Transmitter

Example:

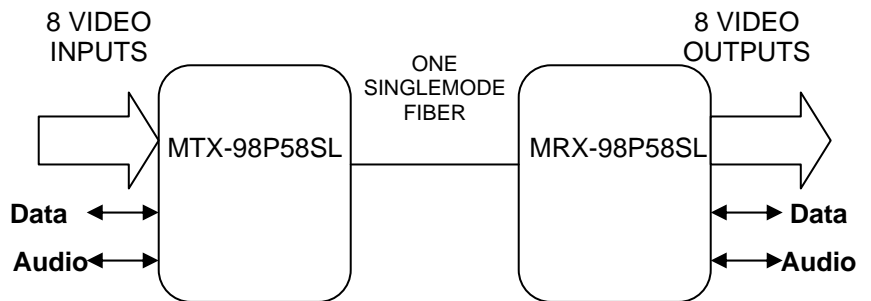
MTX-98P58SL to MRX-98P58SL



The American Fibertek 98P58SL Series transmits 8 channels of high-quality 10 Bit digitized video and one bi-directional channel of user selectable multi-protocol data and one bi-directional audio channel on one singlemode optical fiber using WDM technology. The available data channels are RS485 (2 or 4 wire), RS422, RS232 and Manchester. Data rates up to 115 kbs are supported.

Designed to be completely transparent to all camera and monitor manufacturers, this system requires no field adjustments at installation or additional maintenance thereafter. Diagnostic indicators provide a quick visual indication of system status.

Equipment consists of a 1 RU housing which contains the Video and the WDM passive optics.



10/01/2012 JPK