



**91685C-SL
SERIES
SINGLE MODE**

**16 CHANNEL DIGITAL VIDEO SYSTEM WITH TWO
BI-DIRECTIONAL MULTI-PROTOCOL DATA CHANNELS**

Features:

- ◆ Compatible with NTSC, (RS – 170A & RS –343A), PAL and SECAM
- ◆ Diagnostics: Video, DC Power, OLI , Data Activity
- ◆ Automatic Resettable Fuses on Power Lines
- ◆ 10 Bit Digital Video Transmission

Specifications:

Video:

I/O Level 1 Vp-p (±3 dB)
 I/O Impedance 75 Ohms
 Bandwidth 7 MHz
 Differential Gain 2 %
 Differential Phase 0.7 °
 SNR (Unified Weighted) 65 dB
 Connector BNC

Data (2 Channels):

Interface.....Selectable Multi-protocol
 Choice of: RS-485 (2 or 4 wire),
 RS-422,
 RS-232
 Manchester

FormatAsynchronous
 Rate DC to 115 Kbit/s
 Connector.....Terminal Block

Optical

Wavelengths1470/1510/1530 nm
 Loss Budget (9/125µ)21 dB
 ConnectorFC

Environmental

Operating Temp.....-40°C to +75°C
 Storage Temp.....-40°C to +85°C
 Humidity....0% to 95% (non condensing)
 MTBF.....>100,000 hours

Power Supply:

Universal Power Input
 100 to 240 VAC, 50 to 60 Hz, 55 W

Size:

1RU 1.75" High x 19" Wide x 12" Deep

Ordering information:

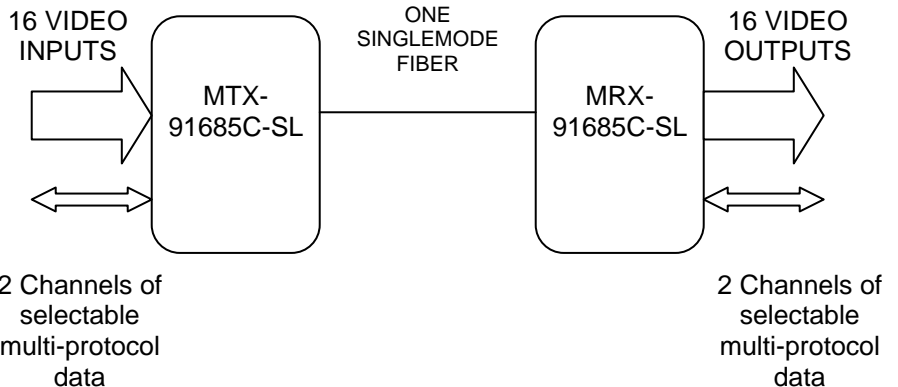
MTX-91685C-SL = Video Transmitter
 MRX-91685C-SL= Video Receiver
 Example:
MRX-91685C-SL to MRX-91685C-SL



The American Fibertek 91685C-SL Series transmits 16 channels of high-quality 10 Bit digitized video and two channels of multi-protocol data on one singlemode optical fiber using WDM technology.

Designed to be completely transparent to all camera and monitor manufacturers, this system requires no field adjustments at installation or additional maintenance thereafter. Diagnostic indicators provide a quick visual indication of system status.

Equipment consists of a 1 RU housing which contains the Video and the WDM passive optics.



10/01/2012 JPK