



**USB 2.0
SERIES
SINGLEMODE**

USB 2.0 Data Fiber Extender

FEATURES:

- ◆ USB 2.0 (also USB 1.1) Data
- ◆ Up to 480 Mbs
- ◆ True Plug and Play
- ◆ Integrated 4 Port Hub
- ◆ No Driver installation Required
- ◆ Activity Indicators
- ◆ Available in Multimode

SPECIFICATIONS:

Data :

USB 2.0
Rate.....480 Mbs
Ports/Connector MRX.....(1) Type B
Ports/Connector MTX.....(4) Type A

Optical:

Wavelength:
Two Fiber.....1310/1310 nm
Loss Budget.....12dB
Distance
- 9/125u.....10 km
Connectors (2).....LC

Power:

MTX-Remote Unit
Voltage..... 5.0 VDC
Current..... 3.0 A
Connector1.75mm
(Provides 5Vdc / 500 mA
out of each of the 4 USB ports)

MRX-Local Unit

Voltage..... 5.0 VDC
Current..... 1.2 A
Connector1.75mm
(Capable of being powered over the USB
cable or from a separate power supply)

Power Supply:

MTX.....AFI #PS-5V/3A
MRX.....AFI #PS-5C

Physical:

Operating Temperature..... 0 °C to 60 °C
Humidity..... 5 % to 95 %

Size:

Module..... 4 1/4" x 3 1/4" x 1 1/8"



The American Fibertek USB 2.0-SL Series transmits and receives USB 2.0 or USB 1.1 data over two singlemode optical fibers.

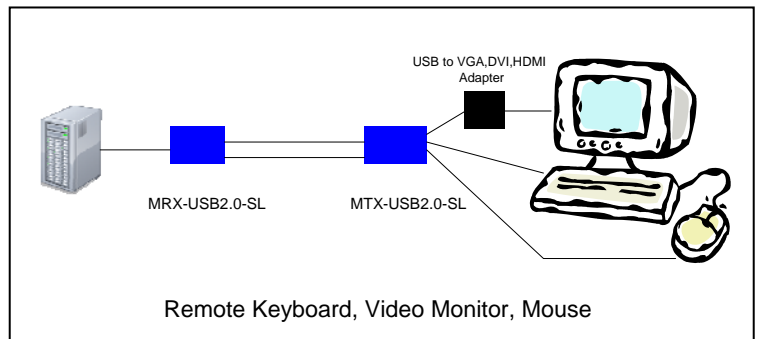
The system is comprised of two transceivers forming a point-to-point communications link. The remote unit has an integrated 4 port hub which is capable of providing 5Vdc/500mA out of each of the 4 USB ports.

For ease of installation, diagnostic indicators provide a quick visual indication of system status.

One of the applications for this link is to remote a keyboard, video monitor, and mouse over extended distances. The monitor interface can be VGA, DVI, or HDMI. An appropriate adapter is needed to convert the VGA, DVI, or HDMI to a USB2.0 interface which connects to the AFI USB2.0 unit.

ORDERING INFORMATION:

MTX-USB2.0-SL Two Fiber Module TX Singlemode LC Connectors 1310nm
MRX-USB2.0-SL Two Fiber Module RX Singlemode LC Connectors 1310nm



Remote Keyboard, Video Monitor, Mouse

6/5/14 JPK