



**9P5E-SL
Series
Singlemode**

(2 ports) 10/100Base-TX Ethernet, (1) Multi-Protocol Data Channels Transceiver

SPECIFICATIONS:

Ethernet: (2 ports)

Data Rate:
Auto negotiated.....10/100 Mb/s
Connector.....RJ45

Data :

Interface.....Selectable Multi-protocol
Choice of: RS-485 (2 or 4 wire),
RS-422,
RS-232
Manchester

Format.....Asynchronous
Rate.....DC to 115 Kbit/s
Connector.....Terminal Block

Optical:

Wavelength.....1300/1550nm
Loss Budget (9/125µ).....21 dB
Distance.....10 km
Connector.....FC

Temperature (Operating)

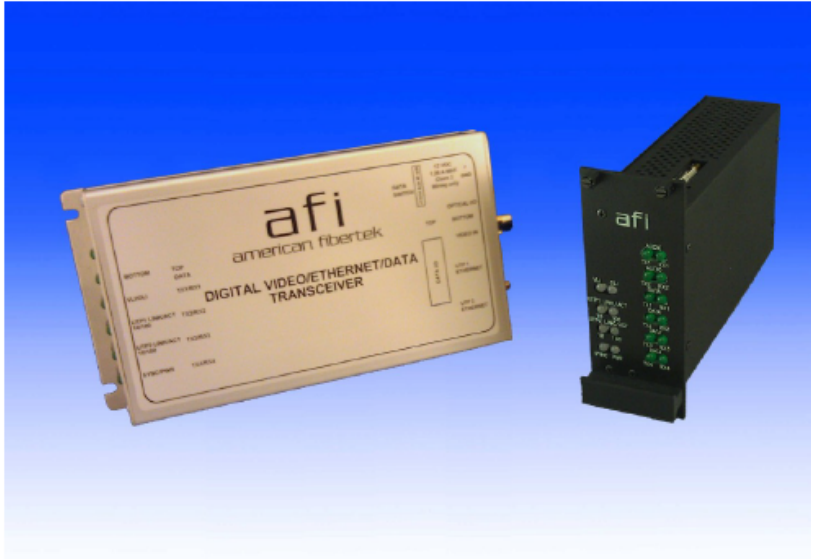
-40°C to +75°C, non-condensing

Power Supply:

Module – 12 VDC (AFI Part # PS-12D)
Rack Card – AFI SR 20/2

Size:

Module -8 1/8" x 4 1/8" x 1 5/8"
Rack Card (2 rack slots).....6 1/2" x 2" x 5"



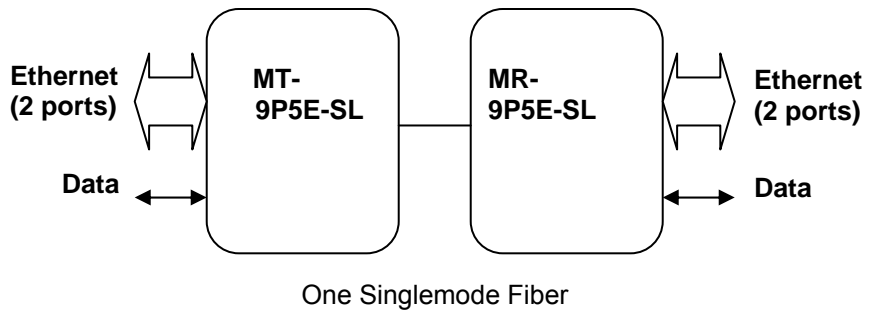
The American Fibertek 91P5E Series transmits (2 ports) 10/100Base-TX Ethernet, and (1) Multi-Protocol Data Channel on one singlemode optical fiber. Diagnostic indicators provide a quick visual indication of system status.

Designed to be completely transparent, this system requires no field adjustments at installation or additional maintenance thereafter.

Equipment may be ordered as stand alone modules or rack cards that are mounted in the American Fibertek Card Cages: SR20/2 or SR20H/2 (redundant power supplies).

Product Ordering Information:

- | | |
|------------|-----------------------|
| MT-9P5E-SL | Module Transmitter |
| MR-9P5E-SL | Module Receiver |
| RT-9P5E-SL | Rack Card Transmitter |
| RR-9P5E-SL | Rack Card Receiver |



9/1/15 JPK