



**81B-SL
SERIES
SINGLEMODE**

**4 CHANNEL BI-DIRECTIONAL
CONTACT CLOSURE SYSTEM**

Features:

- ◆ 4 Channels Bi-Directional, Form-C (Normally Open or Normally Closed) Dry Contact Closure
- ◆ Latching Relays reduce power requirement
- ◆ User-Selectable feature maintains Contact Status through Power-Cycle and Loss-of-Optical-Power.
- ◆ User Control to Reset all Contact Status
- ◆ Diagnostics: Power, Optical Presence and Channel Indicators
- ◆ High Density DB26 Data Connector with Adaptor to screw terminal

Specifications:

Data:

Contact Closure Rating..... 0.5A Max.
 40 Volt DC or Peak AC Per Channel
 Response Time..... 5 ms
 Connector DB26 with Adaptor to Screw Terminal

Optical:

Wavelength..... 1310/1550 nm
 Loss Budget (9/125µ)..... 12 dB
 Connector FC

Temperature (Operating)

-40°C to +75°C, non-condensing

Power Supply:

Module – 12 VDC (AFI Part # PS-12+)
 Rack Card – AFI SR 20/2

Size:

Module 81/8" x 41/8" x 11/8"
 Rack Card 6 1/2" x 5" x 1"

Product Ordering Information:

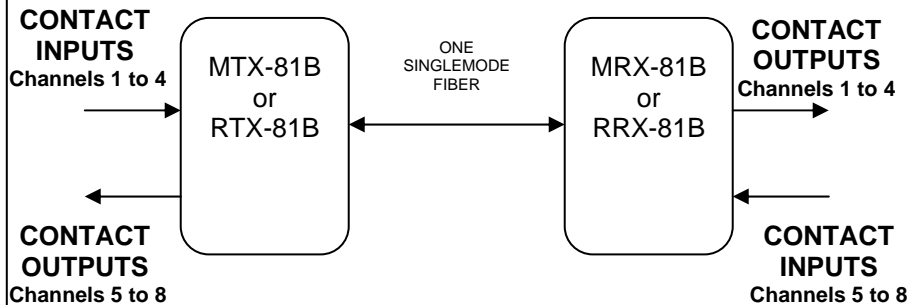
MTX = Module Transmitter–Signal Source
 MRX = Module Receiver–Signal Receive
 RTX = Rack Card Transmitter–Signal Source
 RRX = Rack Card Receiver–Signal Receive

Example: MTX-81B-SL to RRX-81B-SL



The American Fibertek 81B-SL Series multiplexes 8 total channels (4 contact in and 4 contact out) of dry latching contact closure on one singlemode fiber. A user-selectable feature allows the contact status to be maintained unchanged through power-cycle and loss-of-optical-power. A reset button is available to clear all contact status to the default state. A set of 8 LEDs on the transmitter and the receiver units indicates the channel(s) status. These systems require no field adjustments at installation or additional maintenance thereafter. Diagnostic indicators provide a quick visual indication of system status. **The "Afinety" intelligent remote monitoring system is available on the Rack Card product, please consult factory.**

Equipment may be ordered as stand alone modules or rack cards that are mounted in the American Fibertek Card Cages: SR-20/2 or SR-20R/1.



3/23/2007 JPK