

8 CHANNEL BI-DIRECTIONAL CONTACT CLOSURE SYSTEM

Features:

- ◆ 8 Channels Bi-Directional, Form-C (Normally Open or Normally Closed) Dry Contact Closure
- ◆ Latching Relays reduce power requirement
- ◆ Maintains Contact Status through Power-Cycle and Loss-of-Optical-Power.
- ◆ User Control to Reset all Contact Status
- ◆ Diagnostics: Power, Optical Presence and Channel Indicators
- ◆ High Density DB26 Data Connector with Adaptor to screw terminal

Specifications:

Data:

Contact Closure Rating 0.5A Max.
 40 Volt DC or Peak AC Per Channel
 Response Time 5 ms
 Connector DB26 with Adaptor
 to Screw Terminal

Optical:

Wavelength 1310/1550 nm
 Loss Budget (9/125µ).....21 dB
 Connector FC/PC

Temperature (Operating)

-40°C to +75°C, non-condensing

Power Supply:

Module – 12 VDC (AFI Part # PS-12+)
 Rack Card – AFI SR 20/2

Size:

Module 81/8" x 41/8" x 1.5"
 Rack Card 6½" x 5" x 2"

Product Ordering Information:

MTX = Module Transmitter–Signal Source
 MRX = Module Receiver–Signal Receive
 RTX = Rack Card Transmitter-Signal Source
 RRX = Rack Card Receiver–Signal Receive

Example: MTX-82B-SL to RRX-82B-SL

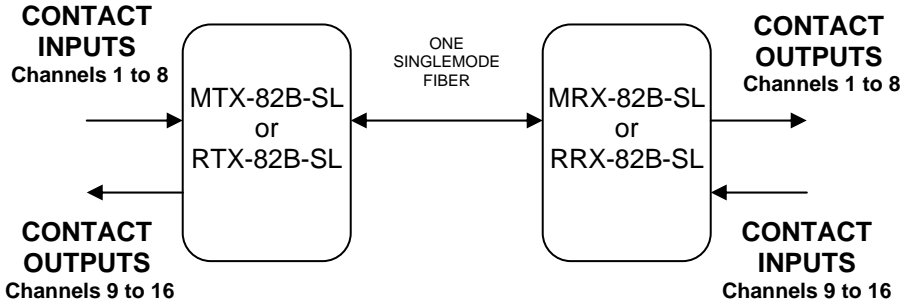


The American Fibertek 82B-SL Series multiplexes 16 total channels (8 in each direction) of dry latching contact closure on one singlemode fiber. Individual channel LEDs on the transmitter and the receiver units indicate the channel status.

The contact output relays are latching which maintain their states when either optical power is removed (fiber disconnected) or the fiber modules lose DC power. A reset button is available to clear all contact status to the default state.

These systems require no field adjustments at installation or additional maintenance thereafter. Diagnostic indicators provide a quick visual indication of system status.

Equipment may be ordered as stand alone modules or rack cards that are mounted in the SR-20/2 or SR20H/2(redundant power supply) AFI Card Cage.



9/24/2012 JPM