



**91688C-SL
SERIES
SINGLEMODE**

**16 CHANNEL DIGITAL VIDEO SYSTEM WITH TWO
BI-DIRECTIONAL AUDIO CHANNELS**

Features:

- ◆ Compatible with NTSC, (RS – 170A & RS –343A), PAL and SECAM
- ◆ Diagnostics: Video, DC Power, OLI Audio Activity
- ◆ Automatic Resettable Fuses on Power Lines
- ◆ Digital Video Transmission

Specifications:

Video:

I/O Level 1 Vp-p (±3 dB)
 I/O Impedance 75 Ohms
 Bandwidth 7 MHz
 Differential Gain 2 %
 Differential Phase 0.7 °
 SNR (Unified Weighted) 55 dB
 Connector BNC

Audio:

I/O Level @ 600 Ohms 0 dBm
 Bandwidth 20 Hz to 10 KHz
 THD @ 1 KHz 0.1%
 SNR 80 dB
 Connector Terminal Block

Optical:

Wavelengths 850/1310/1550 nm
 Loss Budget (9/125µ) 21 dB
 Connector FC

Environmental:

Operating Temp. -40°C to +75°C
 Storage Temp. -40°C to +85°C
 Humidity 0% to 95% (non condensing)
 MTBF >100,000 hours

Power Supply:

Universal Power Input
 100 to 240 VAC, 50 to 60 Hz, 55 W

Size:

1RU 1.75" High x 19" Wide x 12" Deep

Ordering information:

MTX-91688C-SL = Video Transmitter
 MRX-91688C-SL = Video Receiver

Example:

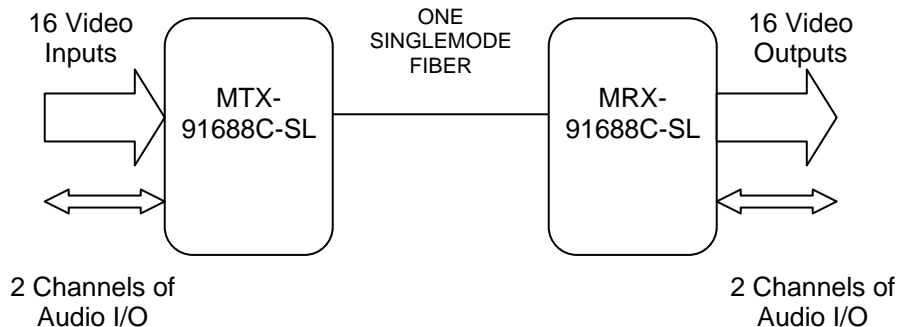
MTX-91688C-SL to MRX-91688C-SL



The American Fibertek 91688C Series transmits 16 channels of high-quality digitized video and two channels of 24 Bit bi-directional audio on one singlemode optical fiber using WDM technology.

Designed to be completely transparent to all camera and monitor manufacturers, this system requires no field adjustments at installation or additional maintenance thereafter. Diagnostic indicators provide a quick visual indication of system status.

Equipment consists of a 1 RU housing which contains the Video and the WDM passive optics.



10/01/2014 JPK