



**9P9E-SL  
Series  
Singlemode**

**Two 10/100Base-TX Ethernet Ports &  
One Bi-directional Contact Closure Channel**

**FEATURES:**

- ◆ Complete Fiber Optic to Twisted Pair Media Interface
- ◆ Auto MDI / MDIX Detection
- ◆ Auto Negotiate 10/100 Ports
- ◆ Link and Activity Indicators for UTP and Fiber
- ◆ OLI and Contact Indicators

**SPECIFICATIONS:**

**Ethernet: (2 ports)**

Data Rate:  
Auto negotiated...10/100 Base-TX Mb/s  
Connector.....RJ45

**Optical:**

Wavelength.....1300/1550nm  
Loss Budget (9/125μ)..... 21 dB  
Distance.....10 km  
Connector.....FC

**Contact Closure:**

Input..... Switch Closure to Ground  
Output..... Dry Contact  
Response Time.....2 mS  
Max Voltage..... 100 VDC or Peak AC  
Max Current.....0.5 A  
Connector.....Terminal Block

**Environmental**

Operating Temp.....-40°C to +75°C  
Storage Temp.....-40°C to +85°C  
Humidity....0% to 95% (non-condensing)  
MTBF.....>100,000 hours

**Power Supply:**

Module – 12 VDC (AFI Part # PS-12D)  
Rack Card – AFI SR 20/2

**Size:**

Module - .....8<sup>1</sup>/<sub>8</sub>"x4<sup>1</sup>/<sub>8</sub>"x1<sup>5</sup>/<sub>8</sub>"  
Rack Card-2 rack slot .....6<sup>1</sup>/<sub>2</sub>"x2"x5"

**Product Ordering Information:**

MT-9P9E-SL Module Transmitter  
MR-9P9E-SL Module Receiver  
RT-9P9E-SL Rack Card Transmitter  
RR-9P9E-SL Rack Card Receiver

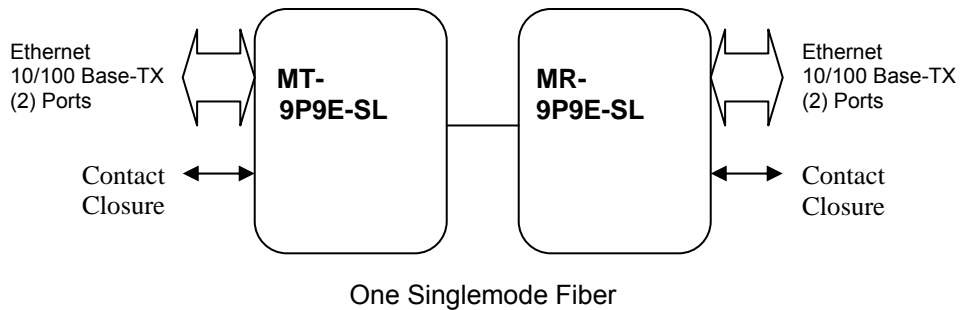


The American Fibertek 9P9E-SL Series accommodates 2 ports of 10/100Base-TX Ethernet and 1 bi-directional contact closure channel on one singlemode optical fiber.

Auto MDI/MDIX operation on the Ethernet ports eliminates the potential need for crossover cables. Diagnostic indicators provide a quick visual indication of system status.

Designed to be completely transparent, this system requires no field adjustments at installation or additional maintenance thereafter. No setup or configuration of the contact channels are required.

Equipment may be ordered as stand alone modules or rack cards that are mounted in the American Fibertek Card Cages: SR-20/2 or SR-20H/2 (redundant power supply option).



5/21/15 JPK