

PROPRIETARY INFORMATION: PROPRIETARY OF GLOBTEK, INC. ANY REPRODUCTION, DISCLOSURE OR USE OF THIS DRAWING, IN WHOLE OR IN PART, IS HEREBY PROHIBITED EXCEPT AS SPECIFIED IN WRITING BY GLOBTEK, INC.	REVISION			
	REV	DESCRIPTION	DATE	APPROVED
	A	INITIAL RELEASE, RFS. 6785, MS	08/08/05	DMR

1. NOTES:

DIMENSIONS ARE IN MM UNLESS SPECIFIED OTHERWISE.

2. ELECTRICAL SPECIFICATIONS:

INPUT VOLTAGE: 100-240 VAC
INPUT CURRENT: < 0.6 A RMS MAX
INPUT FREQUENCY: 47 - 63 HZ
OUTPUT VOLTAGE: 12VDC, NO LOAD TO FULL LOAD, NO MINIMUM LOAD REQUIRED


OUTPUT CURRENT: 1.25A
OUTPUT POWER (RATED): 15 WATTS MAX
SWITCHING FREQUENCY:
OUTPUT RIPPLE (PEAK TO PEAK): 150 mV
OUTPUT REGULATION (LINE/LOAD): ± 5 % FOR MAIN OUTPUT, MEASURED AT O/P CONNECTOR
LINE REGULATION: ± 1 % MAX AT FULL LOAD

TURN ON/ TURN OFF OVERSHOOT: 4% MAX 500µS MAX RECOVERY TIME FOR 25% STEP LOAD
TURN-ON DELAY: 3000 mSEC MAX
HOLD-UP TIME: 16 mSEC MIN AT NOMINAL INPUT AND FULL LOAD
INRUSH CURRENT: 30 A MAX AT COLD START 120 VAC, 60A MAX COLD START 230VAC
SWITCHING FREQUENCY: 66.5 KHz TYPICAL
OVER-VOLTAGE PROTECTION: VOLTAGE LIMITED LESS 130% OF NOMINAL VOLTAGE
OVER-CURRENT / SHORT CIRCUIT: HICCUP WITH AUTO RECOVERY TO 1.1 - 1.3 I_o
OTHER PROTECTION: INPUT FUSING
SAFETY APPROVALS: UL60950, CUL TO 22.2# 950, SEMKO TO EN60950, CCC TO GB4943-2001, GB9254-1998, GB17625.1-2003, CE CLASS II, AS/NZ 60950, PSE TO J60950, CB REPORT

DIELECTRIC WITHSTAND VOLTAGE: 3000VAC PRIMARY-SECONDARY
LEAKAGE CURRENT: ≤ 0.25 mA
LINE SURGE: EN 61000-4-5 LEVEL 4
EMI: COMPLIES WITH EN55022 CLASS B AND FCC PART 15 CLASS B WHEN TESTED WITH A RESISTIVE LOAD, BOTH CONDUCTED AND RADIATED

CE MARK: TESTED TO COMPLY WITH EN61000-3-2 EN61000-3-3 AND EN50082-1, INCLUDING EN61000-4-2, EN61000-4-3, EN61000-4-4, EN61000-4-5, EN61000-4-6, EN61000-4-11, LEVEL 4. UNIT IS ELIGIBLE FOR CE MARK.

C-TICK: TESTED TO COMPLY W/RADIO TELECOMMUNICATION ACT OF 1992.
EFFICIENCY: COMPLIES WITH ENERGY STAR TIER 2 (NORTH AMERICA), CECP TIER 2 (CHINA), MEPS TIER 2 (AUSTRALIA), CODE OF CONDUCT (EUORPE)
MTBF: GREATER THAN 50,000 HOURS AT 25°C AMBIENT TEMPERATURE,
OPERATING TEMPERATURE: 0°C TO 40° C
STORAGE TEMPERATURE: -40°C TO 80° C
HUMIDITY: 0% TO 90% RELATIVE HUMIDITY

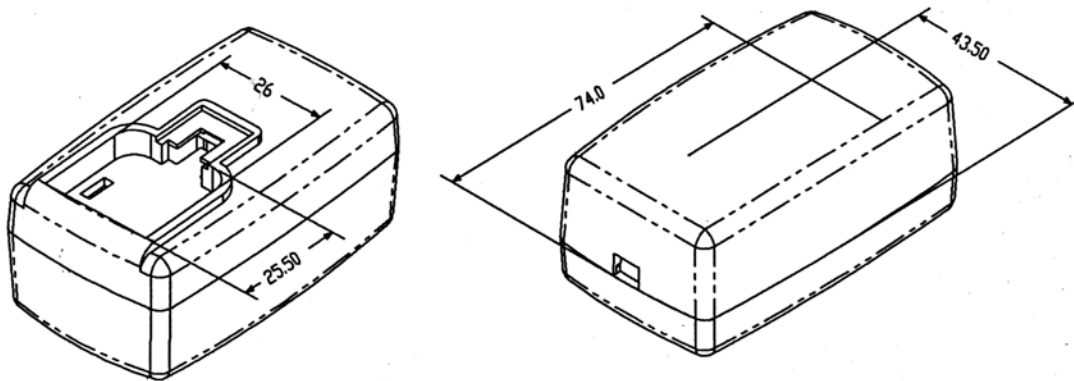
Foot Note: Globtek Inc. will not be liable for the safety and performance of these power supplies if unauthorized access and repair occurs. End user should consult applicable UL, CSA or EN standards for proper installation instructions Limitation of Use: Globtek product are not authorized for use as mission critical components in life support, hazardous environment, nuclear or aircraft applications without prior written approval from the CEO of Globtek Inc. Contents of this document are subject to change without prior notice	DASH NO.	PART NO	REV.	DESCRIPTION	NOTES
	TABULATION BLOCK				
	INIT.BY: MS	DATE: 08/08/05	TOLERANCES: DECIMALS ANGULAR .xx +/- 0.1 +/- .1° .xxx +/- .005		 GlobTek, Inc. 186 Veterans Dr. Northvale, NJ 07647 Tel. 201-784-1000 Fax 201.784.0111 www.globtek.com DWG TITLE: WALL PLUG-IN SWITCHING POWER SUPPLY, 15 WATTS, UNIVERSAL INPUT, 12V@ 1.25A
	DRAWN: NF	DATE: 08/08/05	FSCN No.: G, N	SIZE A	
APRVD :DMR	DATE: 08/08/05	CAGE CODE: 0GV V90 SCALE: NONE		PART NO: WR9QE1250A00-N-KIT	REV. MARK SHEET 1 OF 4

PROPRIETARY INFORMATION:

PROPRIETARY OF GLOBTEK, INC. ANY REPRODUCTION, DISCLOSURE OR USE OF THIS DRAWING, IN WHOLE OR IN PART, IS HEREBY PROHIBITED EXCEPT AS SPECIFIED IN WRITING BY GLOBTEK, INC.

3. ENCLOSURE

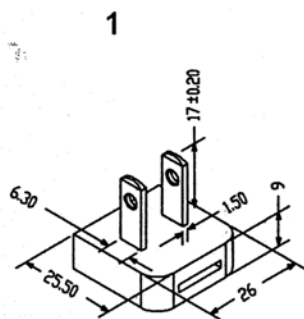
UPPER HOUSING: HIGH IMPACT PLASTIC, 94V0 POLYCARBONATE, NON-VENTED, COLOR BLACK
LOWER HOUSING: HIGH IMPACT PLASTIC 94V0 POLYCARBONATE, NON- VENTED, COLOR BLACK
SIZE: 74 x 43.5 x 34 mm



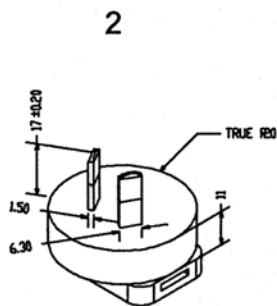
4. INPUT PLUG:

N.A. CONFIGURATION:

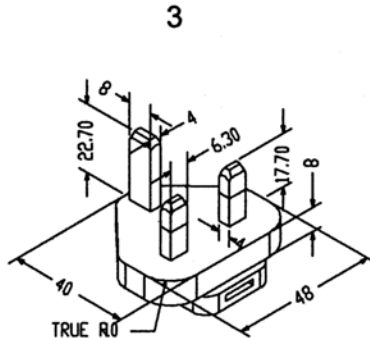
- 1. CLASS II MODEL NEMA 1-15P PLUG WITH 2 PRONGS
- 2. AUSTRALIAN CONFIGURATION: SAA 2 BLADES CLASS II
- 3. UK CONFIGURATION: UK 2 BLADES CLASS II
- 4. EUROPEAN CONFIGURATION: EUROPLUG 2 PINS, CLASS II



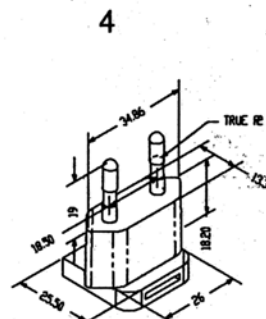
P/N: Q-NA



P/N: Q-SAA



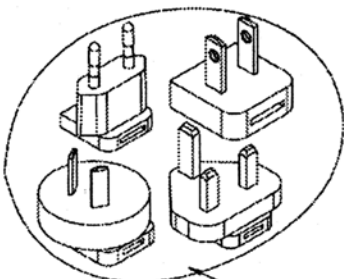
P/N: Q-UK



P/N: Q-EU

KIT INCLUDING:

Q-NA, Q-SAA, Q-UK, Q-EU,
1 PIECE EACH: Q-KIT



PE BAG: 200X110X0.045mm

GlobTek, Inc.
www.globtek.com

186 Veterans Dr. Northvale, NJ 07647
Tel. 201-784-1000 Fax 201-784-0111

DWG TITLE: WALL PLUG-IN SWITCHING POWER SUPPLY, 15 WATTS,
UNIVERSAL INPUT, 12V@ 1.25A

MODEL NO: GT-41052-1512

REV.
A

PART NO: WR9QE1250A00-N-KIT

SHEET 2 OF 4

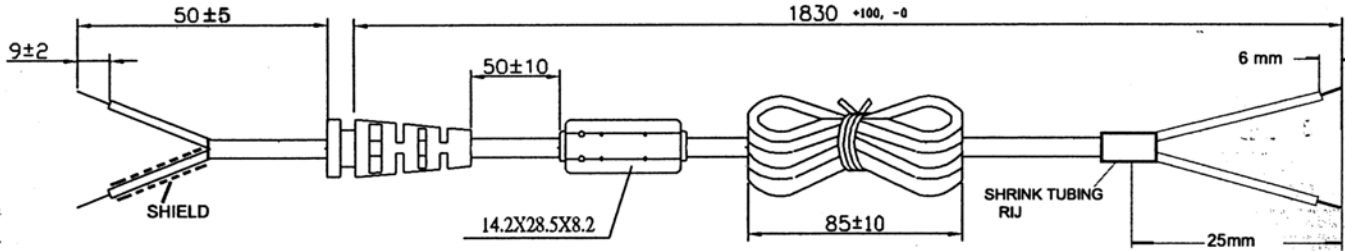
PROPRIETARY INFORMATION:
 PROPRIETARY OF GLOBTEK, INC. ANY REPRODUCTION, DISCLOSURE OR
 USE OF THIS DRAWING, IN WHOLE OR IN PART, IS HEREBY
 PROHIBITED EXCEPT AS SPECIFIED IN WRITING BY GLOBTEK, INC.

5. OUTPUT CORD:

1 CONDUCTOR + SHIELD, 18 AWG STRANDED WIRE, ROUND # 1185, COLOR BLACK, LENGTH (L) OF CORD: 1830 +100, -0 mm.
 CORD IS MEASURED FROM THE HOUSING TO THE END OF OVERMOLD OF THE CONNECTOR.
 CABLE IS TO BE MARKED WITH WIRE GAUGE, AND ALL APPLICABLE RATING AND SAFETY APPROVALS.
 CABLE HAS MOLDED INLINE FERRITE.

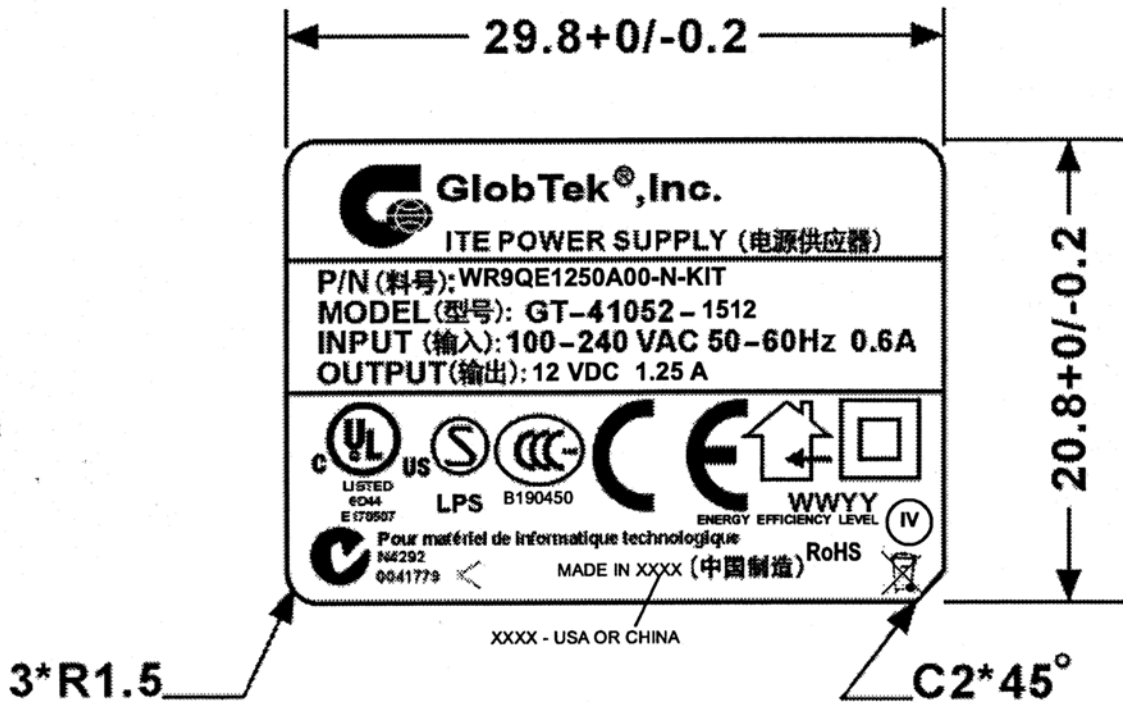
6. OUTPUT CONNECTOR:

NONE: REMOVE OUTER JACKET 25 mm, STRIP CONDUCTORS 6 mm:



7. LABEL:

MATERIAL: .007 (0.18) THICK FLAT THERMAL TRANSFER, IMPRINTABLE, BLACK POLYESTER SHEET WITH WHITE OR SILVER NOMENCLATURE.
 MANUFACTURER: STEVEN LABEL, MATERIAL I.D. NO.3302-33, UL FILE NO. MH12821(N), UL MATERIAL DESIGNATION FILE NO. GHW332RL
 OPTIONAL LABEL MATERIAL CAN BE SUBSTITUTED PROVIDING MATERIAL IS UL LISTED AND COMPLIES WITH APPLICABLE SAFETY



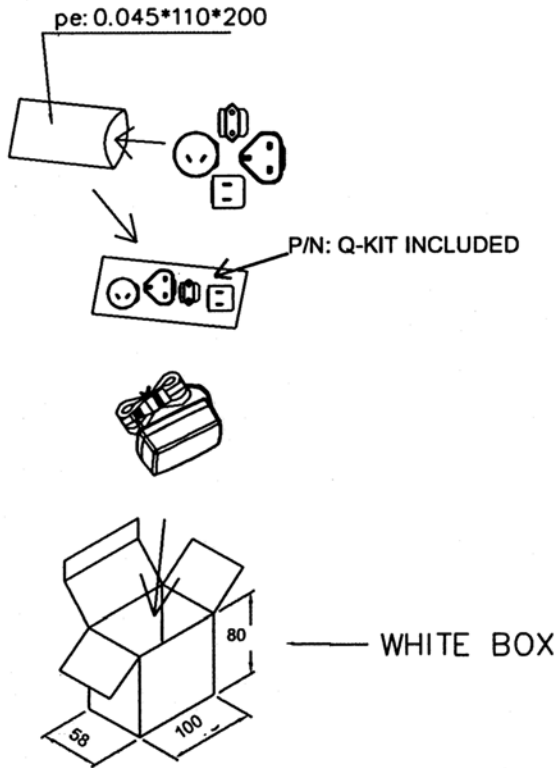
GlobTek, Inc. 186 Veterans Dr. Northvale, NJ 07647 www.globtek.com Tel. 201-784-1000 Fax 201.784.0111	
DWG TITLE: WALL PLUG-IN SWITCHING POWER SUPPLY, 15 WATTS, UNIVERSAL INPUT, 12V@ 1.25A	
MODEL NO: GT-41052-1512	REV. A
PART NO: WR9QE1250A00-N-KIT	SHEET 3 OF 4

PROPRIETARY INFORMATION:

PROPRIETARY OF GLOBTEK, INC. ANY REPRODUCTION, DISCLOSURE OR USE OF THIS DRAWING, IN WHOLE OR IN PART, IS HEREBY PROHIBITED EXCEPT AS SPECIFIED IN WRITING BY GLOBTEK, INC.

8. PACKING:

GIFT BOX SIZE: 100 x 58 x 80 mm (CRITICAL)
CARTON SIZE: 450 x 295 x 285 mm
Q'TY: 80 PCS (20*4)



GlobTek, Inc. 186 Veterans Dr. Northvale, NJ 07647
www.globtek.com Tel. 201-784-1000 Fax 201.784.0111

DWG TITLE: WALL PLUG-IN SWITCHING POWER SUPPLY, 15 WATTS,
UNIVERSAL INPUT, 12V@ 1.25A

MODEL NO: GT-41052-1512

REV.
A

PART NO: WR9QE1250A00-N-KIT

SHEET # OF 4