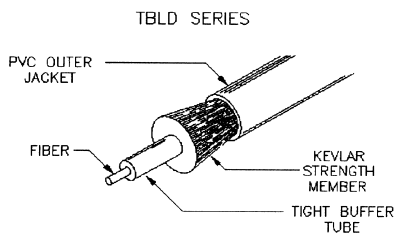


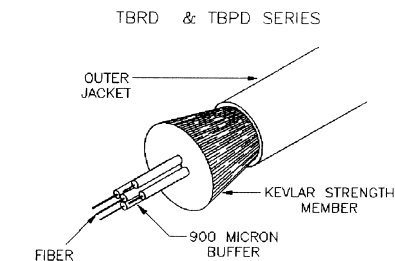
American Fibertek, Inc. provides a complete line of fiber optic cables in a wide variety of Tight Buffer and Loose Tube Gel Filled constructions. We use only the highest quality optical fiber with transmission characteristics to meet the precise needs of your application. Our cables are tested to assure compliance with industry standards and are available with or without terminations.

**Tight Buffered Light Duty:** Our least expensive cables are designed for indoor applications in a controlled environment. Zipcord available in two fiber version.



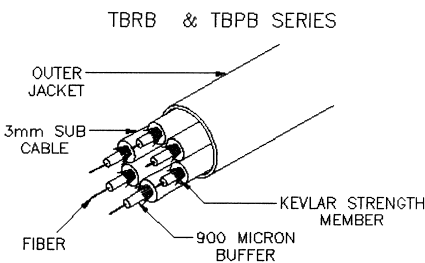
Part Number		Fiber	Cable Diameter		Weight
Riser	Plenum	Count	Inches	MM	Lbs/1000'
TBLD-3601	TBLP-3601	1	0.12	3.0	6
TBLD-3602	TBLP-3602	2	0.19	4.8	12
TBLDZ-3602	TBLDZ-3602	2	0.13 X 2	3.2 X 2	12
TBLD-3604	TBLD-3604	4	0.19	4.8	13

**Tight Buffered Indoor/Outdoor:** Combines the ease of termination typical of tight buffered cable with the ability to withstand harsh environments previously found only in loose tube fiber. Decreases signal loss by reducing the number of intermediate connections in a fiber run. Available in economical distribution style for termination to a patch panel or in heavy-duty breakout style for termination directly to equipment. Outer jackets of thermoplastic, flame-retardant PVC, and plenum are available.



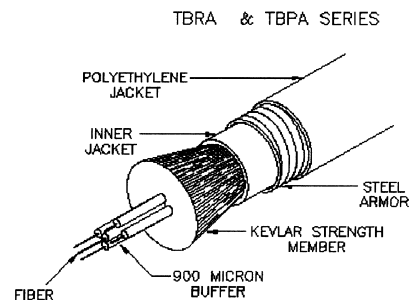
### Distribution Style:

Part Number		Fiber	Cable Diameter		Weight
Riser	Plenum	Count	Inches	MM	Lbs/1000'
TBRD-3602	TBPD-3602	2	0.18	4.5	14
TBRD-3604	TBPD-3604	4	0.20	5.0	17
TBRD-3606	TBPD-3606	6	0.26	6.5	26
TBRD-3608	TBPD-3608	8	0.27	6.8	29
TBRD-3612	TBPD-3612	12	0.28	7.1	32



### Breakout Style:

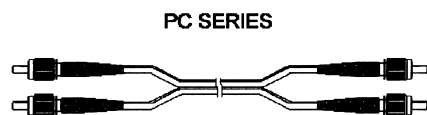
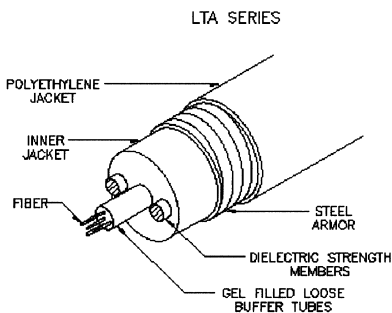
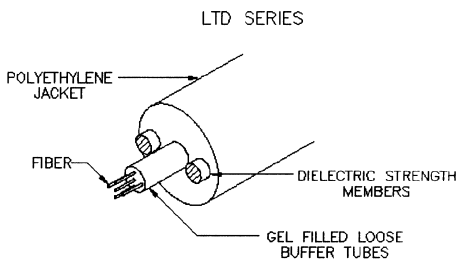
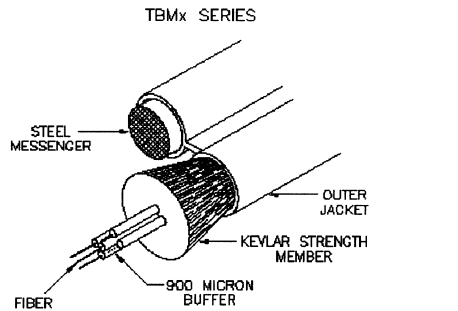
Part Number		Fiber	Cable Diameter		Weight
Riser	Plenum	Count	Inches	MM	Lbs/1000'
TBRB-3602	TBPB-3602	2	0.28	7.0	34
TBRB-3604	TBPB-3604	4	0.31	8.0	44
TBRB-3606	TBPB-3606	6	0.37	9.5	55
TBRB-3608	TBPB-3608	8	0.43	11.0	75
TBRB-3612	TBPB-3612	12	0.49	12.5	101



**Tight Buffered Armored:** TBRD series cable encased in corrugated steel tape with a polyethylene outer jacket. Used in direct burial and aerial applications.

Part Number		Fiber	Cable Diameter		Weight
Riser	Plenum	Count	Inches	MM	Lbs/1000'
TBRA-3602	TBPA-3602	2	0.39	10.0	65
TBRA-3604	TBPA-3604	4	0.39	10.0	68
TBRA-3606	TBPA-3606	6	0.39	10.0	70
TBRA-3608	TBPA-3608	8	0.43	11.0	82
TBRA-3612	TBPA-3612	12	0.43	11.0	85

All part numbers listed above are for standard 62.5/125-micron multimode fibers. Please consult factory for part numbers on larger fiber counts and on available singlemode and custom cables/terminations. Pulling Eye Kits, Fan Out Kits, and Splitter Kits also available.



**Tight Buffered Aerial Messenger:** Distribution style self-supporting cable for mounting onto telephone poles or other support structures. Figure-eight construction attaches a steel messenger surrounded by a thermoplastic jacket to indoor/outdoor fiber capable of wide temperature ranges.

Part Number	Fiber Count
TBMx-3602	2
TBMx-3604	4
TBMx-3606	6
TBMx-3608	8
TBMx-3612	12

**NOTE:** 'x' component of part number determines span length between poles and weight of cable. Consult factory for proper value for your application.

**Loose Tube Distribution:** For long outdoor runs requiring gel filled tubes. Robust cable design for direct burial, underground conduit and lashed aerial installations. Resistant to water, oil, chemicals, and ultraviolet sources. Requires breakout kit for connector installation.

Part Number	Fiber Count		Cable Diameter		Weight
	Per Tube	Total	Inches	MM	Llbs/1000'
LTD-3601	1	1	0.39	9.9	51
LTD-3602	2	2	0.39	9.9	51
LTD-3604	4	4	0.39	9.9	51
LTD-3606	6	6	0.39	9.9	51
LTD-3608	8	8	0.39	9.9	51
LTD-3612	12	12	0.39	9.9	51
LTD-3612-6	6	12	0.42	10.6	55

**Loose Tube Armored:** LTD series cable encased in corrugated steel tape with a polyethylene outer jacket. Used in direct burial and aerial applications requiring extreme protection against environmental hazards and rodents. Requires breakout kit for connector installation.

Part Number	Fiber Count		Cable Diameter		Weight
	Per Tube	Total	Inches	MM	Llbs/1000'
LTA-3602	2	2	0.57	14.5	131
LTA-3604	4	4	0.57	14.5	131
LTA-3606	6	6	0.57	14.5	131
LTA-3608	8	8	0.57	14.5	131
LTA-3612	12	12	0.57	14.5	131

All part numbers listed above are for standard 62.5/125-micron multimode fibers. Please consult factory for part numbers on larger fiber counts and on available singlemode and custom cables/terminations. Pulling Eye Kits, Fan Out Kits, and Splitter Kits also available.

**Indoor Patch Cords:** Quality multimode jumper cables at an economical price. Available in simplex and duplex styles.

Part Number		Core	Length		Connector
Simplex	Duplex	Microns	Meters	Feet	Type
PCST-01MS	PCST-01MD	62.5	1	3.28	ST
PCST-02MS	PCST-02MD	62.5	2	6.56	ST
PCST-03MS	PCST-03MD	62.5	3	9.84	ST
PCST-05MS	PCST-05MD	62.5	5	16.40	ST
PCST-10MS	PCST-10MD	62.5	10	32.81	ST