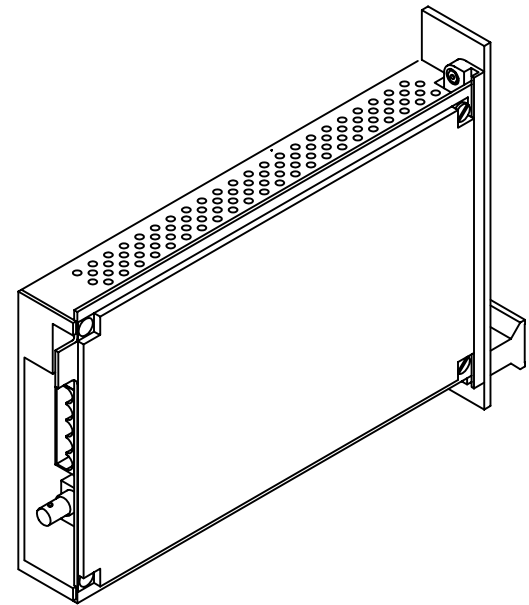



PIN #1

DATA INPUT +  
 DATA INPUT -  
 DATA GND  
 N.C.  
 N.C.

OPTICAL OUTPUT



 <b>afi</b> american fibertek 120 BELMONT DRIVE SOMERSET N.J.	DATE:	07 JULY 09		RT-04-S CUSTOMER ASSEMBLY DRAWING	
	ACAD FN.:	RT-04-S CC			
	SCALE:	DWG BY:	DWG. NO.:	REV.:	CHK.:
NONE	BLB		SH. 1 OF 1	SK	