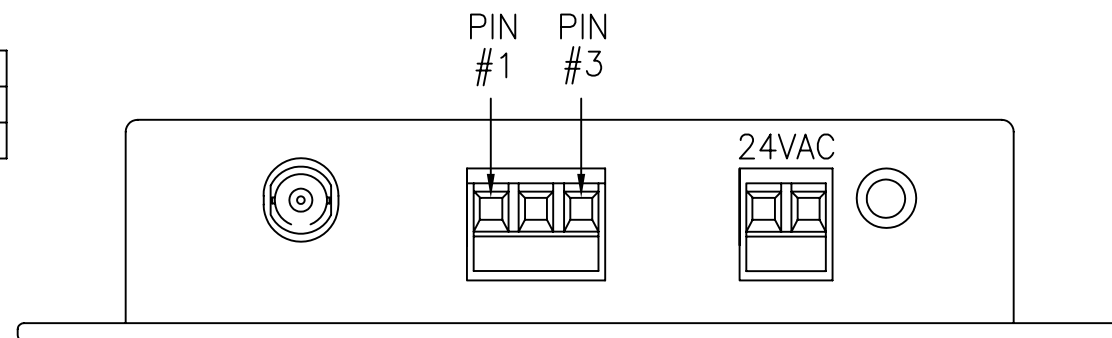


AUDIO INPUT (MT)

PIN #	BALANCED	UNBALANCED
1	AUDIO +	AUDIO
2	GROUND	GROUND
3	AUDIO -	N.C.



MOUNTING DIMENSIONS  
1 5/8" x 5 1/4" O.C.

 american fibertek 120 BELMONT DRIVE SOMERSET N.J.	DATE: 17 AUG 07	MT-05B-S CUSTOMER ASSEMBLY DRAWING			
	ACAD FN.: MT-05B-S CC				
	SCALE: NONE	DWG BY: BLB	DWG. NO.:	SH. 1 OF 1	REV.: