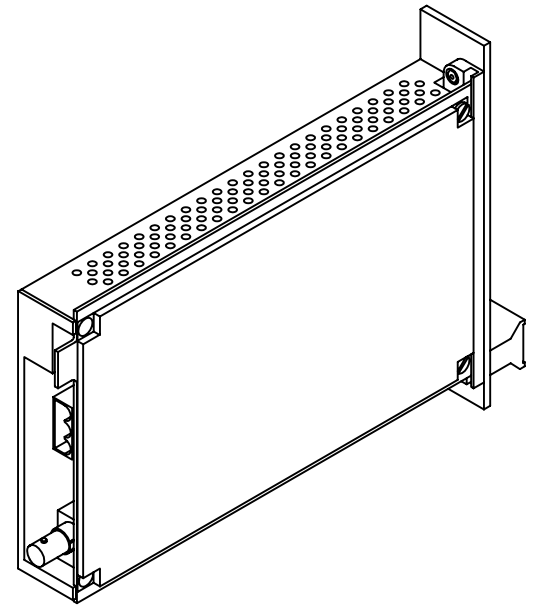


PIN #3

PIN #1

OPTICAL INPUT



PIN #1	BALANCED	UNBALANCED
1	AUDIO +	AUDIO
2	GROUND	GROUND
3	AUDIO -	N.C.

<p>american fibertek</p> <p>120 BELMONT DRIVE SOMERSET N.J.</p>	DATE: 11 SEPT 09		RR-05B-13		
	ACAD FN.: RR-05B-13 CC		CUSTOMER ASSEMBLY DRAWING		
	SCALE: NONE	DWG BY: BLB	DWG. NO.:	SH. OF	REV.: