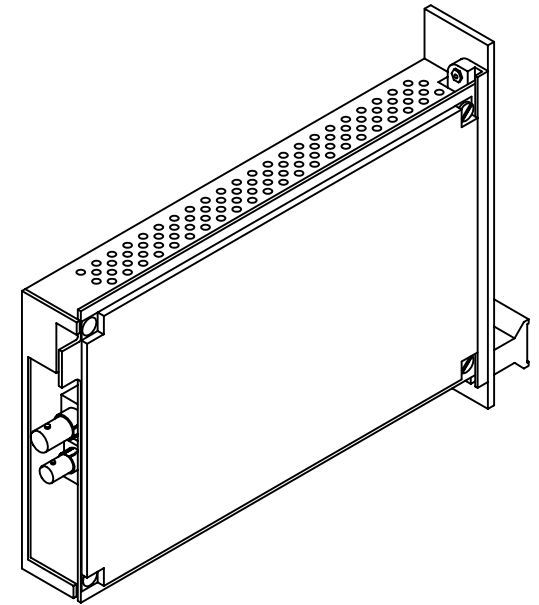



CHANNEL #1  
VIDEO INPUT

CHANNEL #1  
OPTICAL OUTPUT



VLI – VIDEO LEVEL INDICATOR:  
INDICATOR IS GREEN WHEN PROPER  
LEVEL IS PRESENT. IT IS RED WHEN  
SIGNAL IS MISSING OR AT INCORRECT  
LEVEL.

 <b>afi</b> american fibertek 120 BELMONT DRIVE SOMERSET N.J.	DATE: 01 AUG 08		RT-10 CUSTOMER ASSEMBLY DRAWING		
	ACAD FN.: RT-10+ CC				
	SCALE: NONE	DWG BY: BLB	DWG. NO.:	SH. 1 OF 1	REV.: