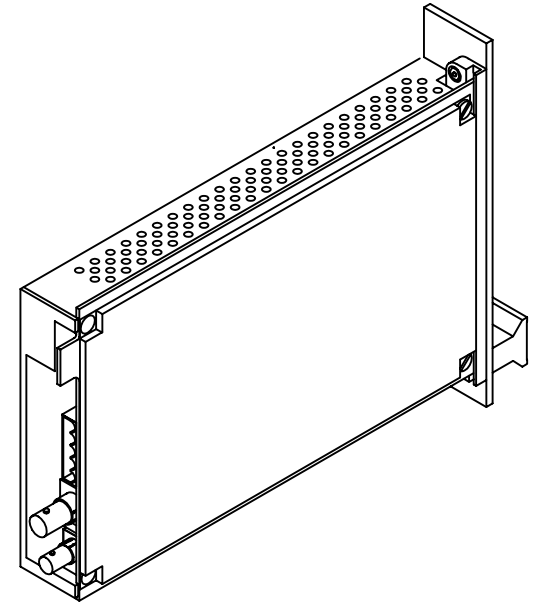



MANCHESTER INPUT +
 MANCHESTER INPUT -
 GROUND
 N.C.
 N.C.

VIDEO OUTPUT

OPTICAL I/O



OLI - OPTICAL LEVEL INDICATOR:
 INDICATOR IS GREEN WHEN PROPER
 LEVEL IS PRESENT. IT IS RED WHEN
 SIGNAL IS MISSING OR AT INCORRECT
 LEVEL.

 american fibertek 120 BELMONT DRIVE SOMERSET N.J.	DATE: 12 JAN 08		RR-1200B CUSTOMER ASSEMBLY DRAWING		
	ACAD FN.: RR-1200B CC				
	SCALE: NONE	DWG BY: BLB	DWG. NO.:	SH. 1 of 1	REV.: