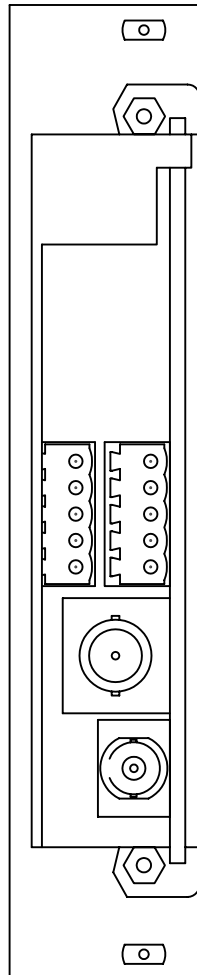


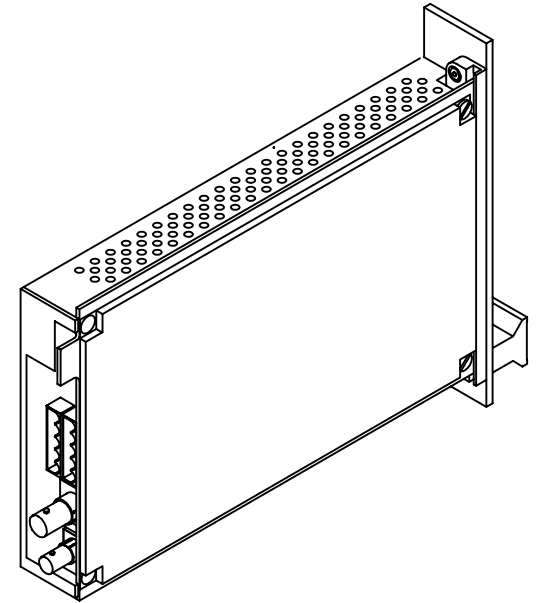
RS232 INPUT  
 N.C.  
 GROUND  
 N.C.  
 RS232 OUTPUT



MANCHESTER INPUT +  
 MANCHESTER INPUT -  
 GROUND  
 N.C.  
 N.C.

VIDEO OUTPUT

OPTICAL I/O



OLI - OPTICAL LEVEL INDICATOR:  
 INDICATOR IS GREEN WHEN PROPER  
 LEVEL IS PRESENT. IT IS RED WHEN  
 SIGNAL IS MISSING OR AT INCORRECT  
 LEVEL.

 american fibertek 120 BELMONT DRIVE SOMERSET N.J.	DATE: 12 JAN 08		RR-1230B CUSTOMER ASSEMBLY DRAWING		
	ACAD FN.: RR-1230B CC		DWG. NO.:	REV.:	CHK.: <i>SK</i>
	SCALE: NONE	DWG BY: BLB			