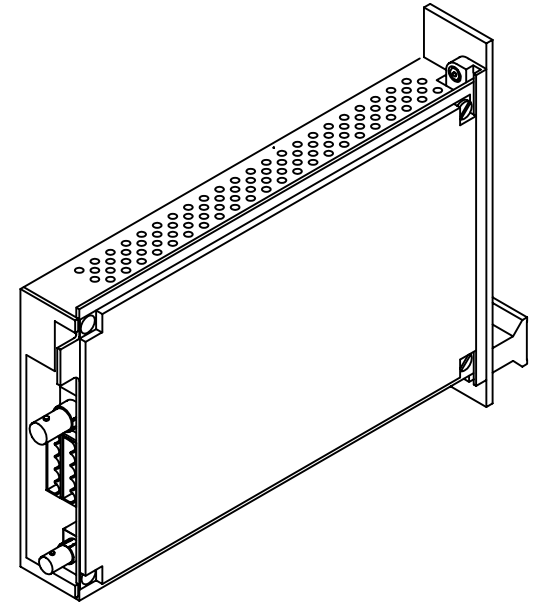


RS422 INPUT +
 RS422 INPUT -
 GROUND
 RS422 OUTPUT +
 RS422 OUTPUT -

VIDEO INPUT

N.C.
 N.C.
 GROUND
 MANCHESTER OUTPUT +
 MANCHESTER OUTPUT -

OPTICAL I/O



VLI - VIDEO LEVEL INDICATOR:
 OLI - OPTICAL LEVEL INDICATOR:
 INDICATOR IS GREEN WHEN PROPER
 LEVEL IS PRESENT. IT IS RED WHEN
 SIGNAL IS MISSING OR AT INCORRECT
 LEVEL.

 american fibertek 120 BELMONT DRIVE SOMERSET N.J.	DATE:	12 JAN 08		RT-1240B CUSTOMER ASSEMBLY DRAWING	
	ACAD FN.:	RT-1240B CC			
	SCALE:	DWG BY:	DWG. NO.:	REV.:	CHK.:
NONE	BLB		SH. 1 OF 1	SK	