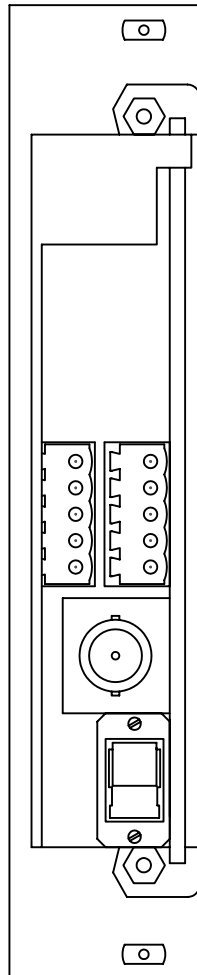


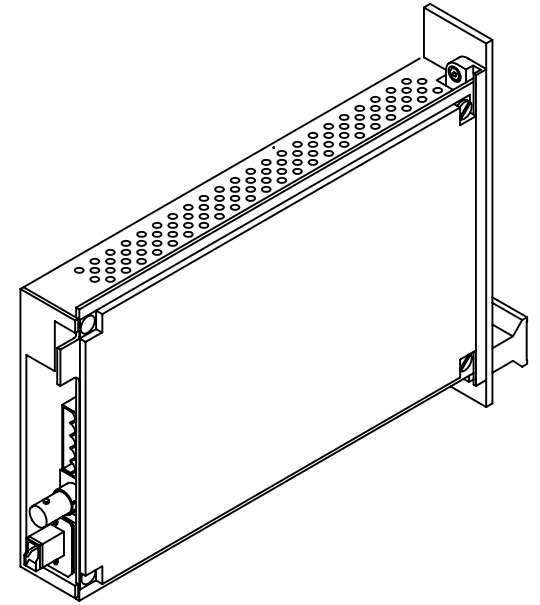
RS422 INPUT +
 RS422 INPUT -
 GROUND
 RS422 OUTPUT +
 RS422 OUTPUT -



RS232 INPUT
 N.C.
 GROUND
 N.C.
 RS232 OUTPUT

VIDEO OUTPUT

OPTICAL I/O



OLI - OPTICAL LEVEL INDICATOR:
 INDICATOR IS GREEN WHEN PROPER
 LEVEL IS PRESENT. IT IS RED WHEN
 SIGNAL IS MISSING OR AT INCORRECT
 LEVEL.

 american fibertek 120 BELMONT DRIVE SOMERSET N.J.	DATE: 02 JUNE 08		RR-1340-137 CUSTOMER ASSEMBLY DRAWING		
	ACAD FN.: RR-1340-137 CC				
	SCALE: NONE	DWG BY: BLB	DWG. NO.:	SH. 1 OF 1	REV.: