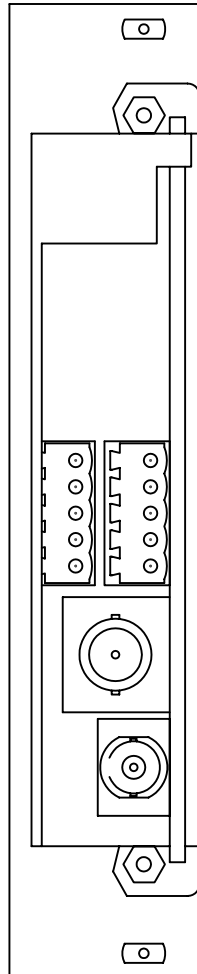


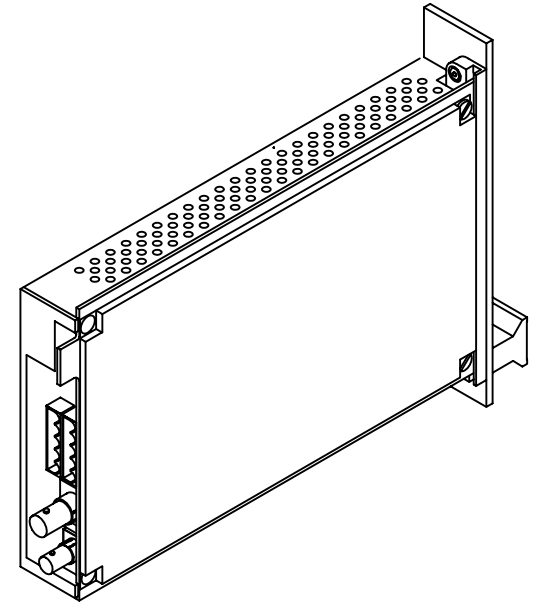
RS422 INPUT + #2  
 RS422 INPUT - #2  
 GROUND  
 RS422 OUTPUT + #2  
 RS422 OUTPUT - #2



RS422 INPUT + #1  
 RS422 INPUT - #1  
 GROUND  
 RS422 OUTPUT + #1  
 RS422 OUTPUT - #1

VIDEO OUTPUT

OPTICAL I/O



OLI - OPTICAL LEVEL INDICATOR:  
 INDICATOR IS GREEN WHEN PROPER  
 LEVEL IS PRESENT. IT IS RED WHEN  
 SIGNAL IS MISSING OR AT INCORRECT  
 LEVEL.

 american fibertek 120 BELMONT DRIVE SOMERSET N.J.	DATE: 19 JAN 08		RR-1440		
	ACAD FN.: RR-1440 CC		CUSTOMER ASSEMBLY DRAWING		
	SCALE: NONE	DWG BY: BLB	DWG. NO.:	SH. 1 OF 1	REV.: