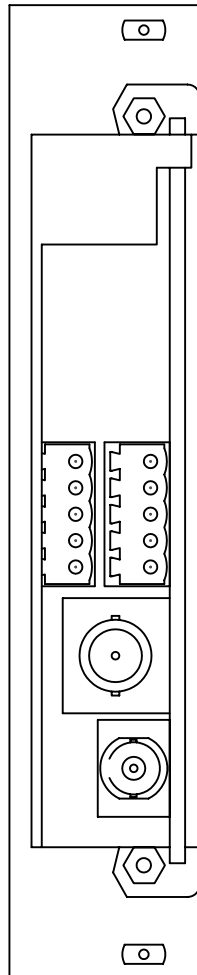


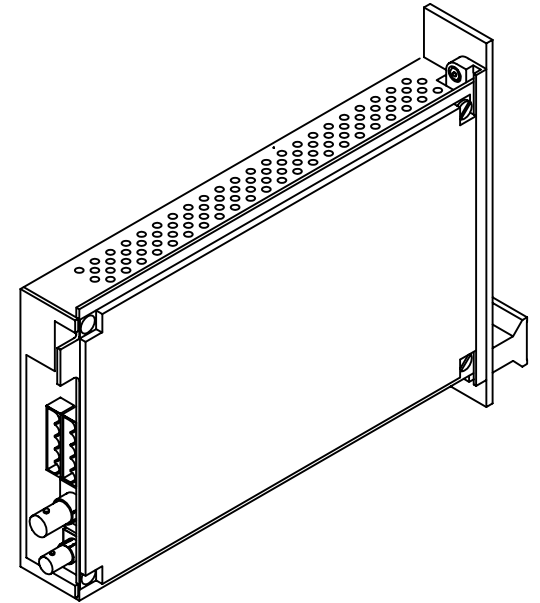
CONTACT INPUT 2  
N.C.  
CONTACT GROUND 2  
CONTACT OUTPUT 2  
CONTACT OUTPUT 2



CONTACT INPUT 1  
N.C.  
CONTACT GROUND 1  
CONTACT OUTPUT 1  
CONTACT OUTPUT 1

VIDEO OUTPUT

OPTICAL I/O



OLI - OPTICAL LEVEL INDICATOR:  
INDICATOR IS GREEN WHEN PROPER  
LEVEL IS PRESENT. IT IS RED WHEN  
SIGNAL IS MISSING OR AT INCORRECT  
LEVEL.

 <b>afi</b> american fibertek 120 BELMONT DRIVE SOMERSET N.J.	DATE: 02 JUNE 08		RR-1990		
	ACAD FN.: RR-1990 CC		CUSTOMER ASSEMBLY DRAWING		
	SCALE: NONE	DWG BY: BLB	DWG. NO.:	SH. 1 of 1	REV.: