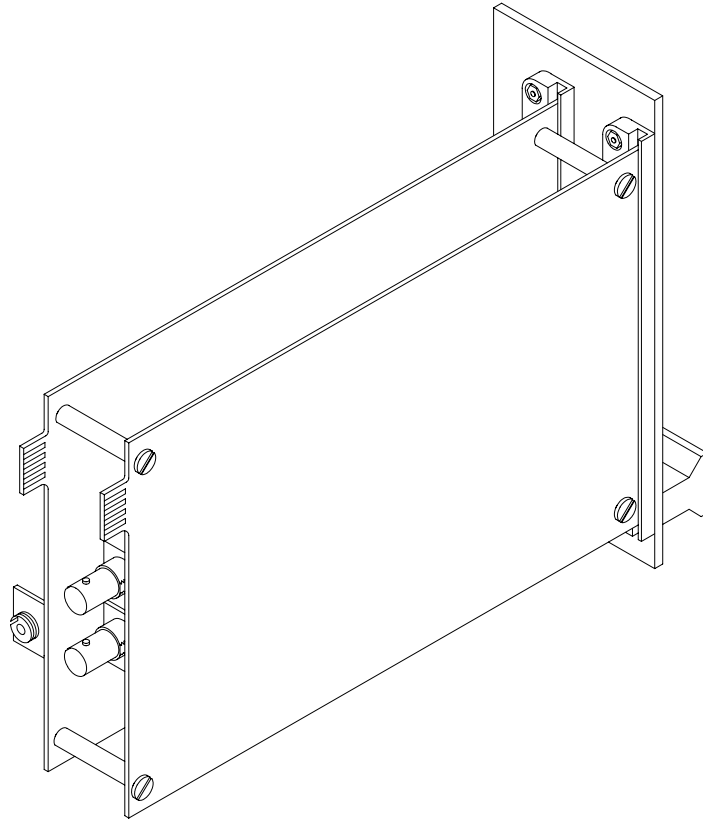




120 Belmont Drive  
Somerset, NJ 08873-1204

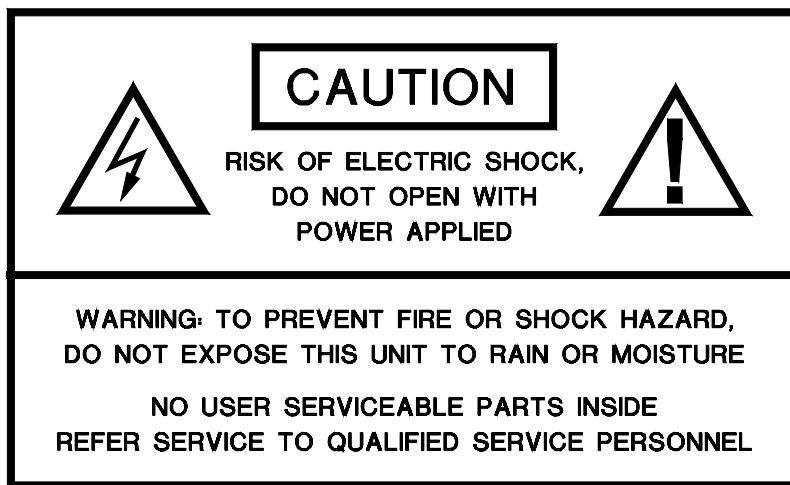
***American Fibertek***

Phone: 732.302.0660 Fax: 732.302.0667



## Instruction Manual

# RR-440C-SL Four Channel Video Receiver



## INSTALLATION AND OPERATION INSTRUCTIONS

### INTRODUCTION

Thank you for purchasing your American Fibertek RR-440C-SL singlemode four channel video receiver. Please take a few minutes to read these installation instructions in order to obtain the maximum performance from this product.

### FUNCTIONAL DESCRIPTION

The RR-440C-SL operates as half of a transmitter / receiver pair for the transmission of four simultaneous, real time, baseband NTSC, PAL, RS170, or RS343 video signals. The RR-440C-SL is designed to operate with the MT-440C-SL or RT-440C-SL video transmitter over one singlemode fiber optic cable.

The RR-440C-SL receiver converts a single optical input into a maximum of four video outputs. The 440C-SL Series product is designed to operate over an optical loss budget range of 0 to 12 dB when used on 9 um singlemode fiber. Refer to the product specification sheet for additional performance data.

This unit is designed for rack mounting in any of the four American Fibertek subracks available. The subrack model numbers are SR-20/1, SR-20R/1, SR-20/2, and SR-20D/2. Slide in rack mounting and LED indicators provide for easy installation and monitoring of video and dc power.

The RR-440C-SL is designed for rack mounting only. For a modular stand alone version please see the MR-440C-SL.

### INSTALLATION

THIS INSTALLATION SHOULD BE MADE BY A QUALIFIED SERVICE PERSON AND SHOULD CONFORM TO THE NATIONAL ELECTRICAL CODE, ANSI/NFPA 70 AND LOCAL CODES.

The unit slides into any two adjacent open slots in the SR-20 subrack. Use a small screwdriver to push and lock the four ¼ turn fasteners into place.

### POWER SOURCE

Power to the unit is supplied by the subrack. Please refer to the SR-20 and PSR instructions for further details.

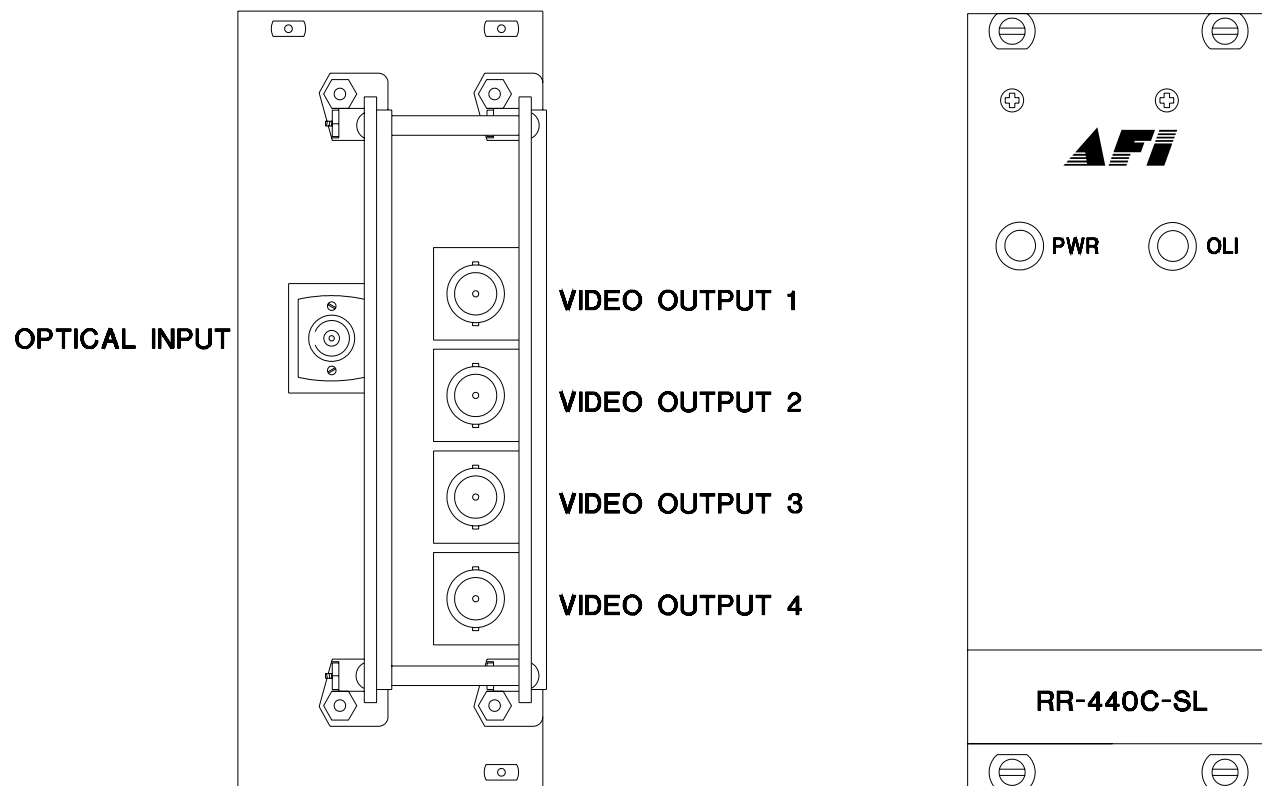
### POWER CONNECTION

Power is supplied to the unit via a four finger backplane connector. The RR-440C-SL can be inserted into the subrack or removed from the subrack with power applied to the backplane.

### INPUT / OUTPUT CONNECTIONS

The fiber optic connection is made via a FC/PC connector located on the back of the unit. Be sure to allow sufficient room for the required minimum bend radius of the fiber cable used.

Video output connections are also located on the back of the unit. A BNC connector is provided for each channel. The 75Ω video outputs can be looped through typical baseband video inputs of switchers, recorders and other equipment as required. For proper operation, the outputs must be terminated with 75Ω. For optimum performance the video cables should be the shortest length of coax practical.



## RR-440C-SL STATUS INDICATORS

The RR-440C-SL receiver provides the following LED status indicators to aid in installation and troubleshooting:

### OLI

A bi-color LED indicator monitors the power of the optical signal that is being received at the RR-440C-SL from the MT-440C-SL or RT-440C-SL. Optical input status associated with this LED is summarized below.

Optical Level Indicator	Optical Status
Green	Proper Optical Input Power Present
Red	Optical Input Not Detected

### POWER

A green LED indicator monitors the internal voltages created within the RR-440C-SL. Power status associated with this LED is summarized below.

Power Indicator	Power Status
Green	Voltage Present
Off	Check Power Supply

**This unit complies with 21 CFR  
1040.10 and 1040.11**

## LIFETIME WARRANTY INFORMATION

American Fibertek, Inc warrants that at the time of delivery the products delivered will be free of defects in materials and workmanship. Defective products will be repaired or replaced at the exclusive option of American Fibertek. A Return Material Authorization (RMA) number is required to send the products back in case of return. All returns must be shipped prepaid. This warranty is void if the products have been tampered with. This warranty shall be construed in accordance with New Jersey law and the courts of New Jersey shall have exclusive jurisdiction over this contract. **EXCEPT FOR THE FOREGOING WARRANTY, THERE IS NO WARRANTY OF MERCHANTABILITY OR FITNESS FOR A PARTICULAR PURPOSE OR OTHERWISE, EXPRESSED OR IMPLIED, WHICH EXTENDS BEYOND THE WARRANTY SET FORTH IN THIS AGREEMENT.** In any event, American Fibertek will not be responsible or liable for contingent, consequential, or incidental damages. No agreement or understanding, expressed or implied, except as set forth in this warranty, will be binding upon American Fibertek unless in writing, signed by a duly authorized officer of American Fibertek.

## SERVICE INFORMATION

There are no user serviceable parts inside the unit.

In the event that service is required to this unit, please direct all inquiries to:

American Fibertek, Inc.  
120 Belmont Drive  
Somerset, NJ 08873

Phone: (877) 234-7200  
Phone: (732) 302-0660  
FAX (732) 302-0667

E-mail: [techinfo@americanfibertek.com](mailto:techinfo@americanfibertek.com)