

SC CONNECTOR  
OPTICAL I/O

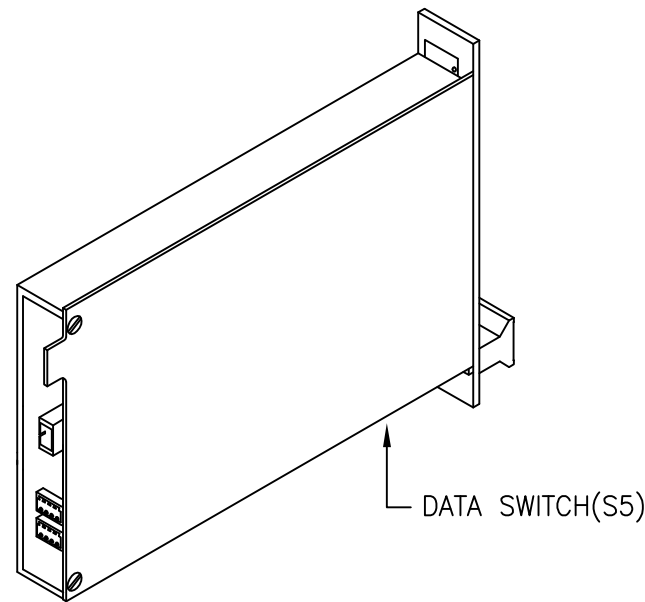
**RS485, RS422 &  
MANCHESTER  
CONNECTIONS**

1	DATA IN +
2	DATA IN -
3	GROUND
4	DATA OUT +
5	DATA OUT -

} 2 WIRE  
DATA I/O

**RS232  
CONNECTIONS**

1	N.C.
2	DATA IN
3	GROUND
4	N.C.
5	DATA OUT



OLI: OPTICAL LEVEL INDICATOR:

- INDICATOR IS GREEN WHEN PROPER LEVEL IS PRESENT. IT IS RED WHEN SIGNAL IS MISSING OR AT INCORRECT LEVEL.

DATA TX./RX: DATA ACTIVITY INDICATORS

- INDICATORS ARE GREEN WHEN DATA ACTIVITY IS PRESENT. OFF WHEN NO DATA IS PRESENT.

SWITCH S1 & S2 LEGEND (INTERNAL)			
	ON	OFF	FACTORY SHIPPED
1	INPUT BIAS ON	INPUT BIAS OFF	<b>OFF</b>
2	INPUT TERM. ON	INPUT TERM. OFF	<b>OFF</b>
3	INPUT BIAS ON	INPUT BIAS OFF	<b>OFF</b>
4	OUTPUT BIAS ON	OUTPUT BIAS OFF	<b>OFF</b>
5	OUTPUT TERM. ON	OUTPUT TERM. OFF	<b>OFF</b>
6	OUTPUT BIAS ON	OUTPUT BIAS OFF	<b>OFF</b>

SWITCH S5 LEGEND						
1	2	3	4	5	6	ON=DOWN / OFF=UP
<b>ON</b>	<b>ON</b>	<b>OFF</b>	<b>ON</b>	<b>ON</b>	<b>OFF</b>	<b>RS485-4W / MANCHESTER (FACTORY SHIPPED)</b>
OFF	ON	ON	OFF	ON	ON	RS485-2W
ON	OFF	OFF	ON	OFF	OFF	RS422
OFF	OFF	OFF	OFF	OFF	OFF	RS232
DATA 2			DATA 1			

**afi**  
american fibertek  
120 BELMONT DRIVE SOMERSET N.J.

DATE: 12 JAN 12  
ACAD FN.: RTX-482(SL) CC  
SCALE: NONE DWG BY: CLQ

RTX-482(SL)  
CUSTOMER ASSEMBLY DRAWING

DWG. NO.: SH. OF REV.: CHK.: