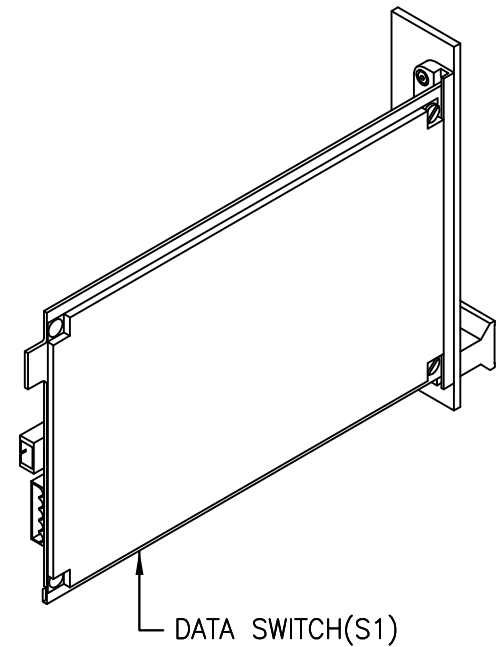


SC CONNECTOR
OPTICAL I/O

1	○
2	○
3	○
4	○
5	○

CONTACT CONNECTIONS

1	CONTACT IN
2	NOT USED
3	CONTACT IN / GND
4	CONTACT OUT
5	CONTACT OUT



DATA SWITCH(S1)

OLI – OPTICAL LEVEL INDICATOR:
INDICATOR IS GREEN WHEN PROPER
LEVEL IS PRESENT. IT IS RED WHEN
SIGNAL IS MISSING OR AT INCORRECT
LEVEL.

DATA RX/TX:
INDICATORS ARE GREEN AND INDICATE
DATA ACTIVITY. INDICATORS ARE OFF
WHEN NO ACTIVITY IS PRESENT.

SWITCH S1 LEGEND

1	2	3	4	5	6	7	8	ON=DOWN / OFF=UP
ON	OFF	ON	OFF	OFF	OFF	ON	ON	FACTORY SHIPPED

 afi american fibertek 120 BELMONT DRIVE SOMERSET N.J.	DATE:	22 SEPT 15		RRX-489SL CUSTOMER ASSEMBLY DRAWING			
	ACAD FN.:	RRX-489SL CC					
	SCALE:	NONE	DWG BY:	BLB	DWG. NO.:	SH. OF	REV.: