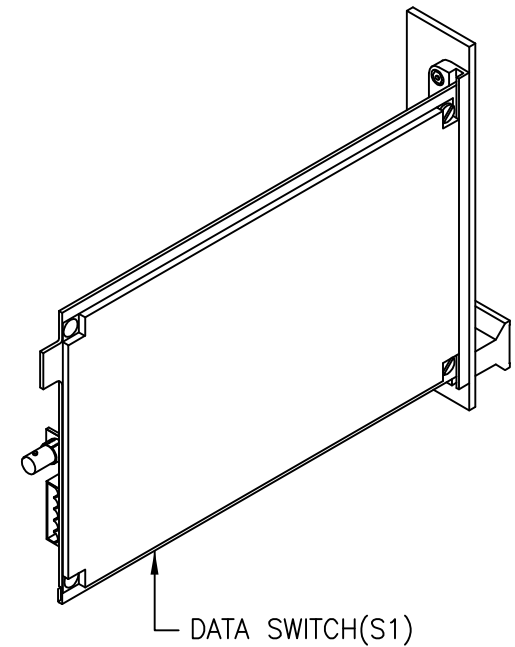


ST CONNECTOR
OPTICAL I/O

1	CONTACT IN
2	NOT USED
3	CONTACT IN / GND
4	CONTACT OUT
5	CONTACT OUT

CONTACT CONNECTIONS



DATA SWITCH(S1)

OLI – OPTICAL LEVEL INDICATOR:
INDICATOR IS GREEN WHEN PROPER
LEVEL IS PRESENT. IT IS RED WHEN
SIGNAL IS MISSING OR AT INCORRECT
LEVEL.

DATA RX/TX:
INDICATORS ARE GREEN AND INDICATE
DATA ACTIVITY. INDICATORS ARE OFF
WHEN NO ACTIVITY IS PRESENT.

SWITCH S1 LEGEND

1	2	3	4	5	6	7	8	ON=DOWN / OFF=UP
ON	OFF	ON	OFF	OFF	OFF	ON	ON	FACTORY SHIPPED

 afi american fibertek 120 BELMONT DRIVE SOMERSET N.J.	DATE: 29 SEPT 15		RRX-489SL-ST CUSTOMER ASSEMBLY DRAWING			
	ACAD FN.: RRX-489SL-ST CC					
	SCALE: NONE	DWG BY: BLB	DWG. NO.:	SH. OF	REV.:	CHK.: <i>JK</i>