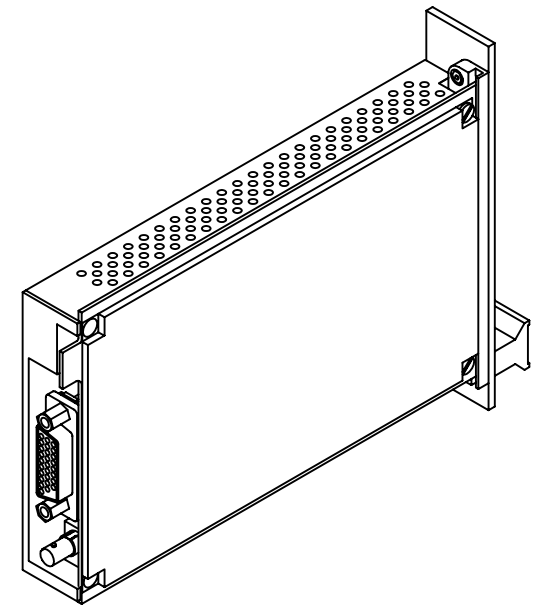
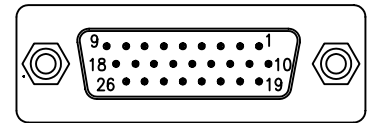


OPTICAL INPUT



PIN #	DESCRIPTION
20 & 21	CHANNEL #1 CONTACT OUTPUT
10 & 19	CHANNEL #2 CONTACT OUTPUT
1 & 2	CHANNEL #3 CONTACT OUTPUT
3 & 4	CHANNEL #4 CONTACT OUTPUT
5 & 6	CHANNEL #5 CONTACT OUTPUT
7 & 8	CHANNEL #6 CONTACT OUTPUT
9 & 26	CHANNEL #7 CONTACT OUTPUT
24 & 25	CHANNEL #8 CONTACT OUTPUT
11	CHANNEL #1 DIGITAL OUTPUT
12	CHANNEL #2 DIGITAL OUTPUT
13	CHANNEL #3 DIGITAL OUTPUT
14	CHANNEL #4 DIGITAL OUTPUT
15	CHANNEL #5 DIGITAL OUTPUT
16	CHANNEL #6 DIGITAL OUTPUT
17	CHANNEL #7 DIGITAL OUTPUT
18	CHANNEL #8 DIGITAL OUTPUT
22	LINK STATUS
23	COMMON GROUND



- NOTES:
- 1> DIGITAL OUTPUTS GO HIGH WHEN CONTACT IS CLOSED
  - 2> LINK STATUS OUTPUT:  
HIGH = FAULT  
LOW = OK
  - 3> LOGIC LEVELS:  
HIGH = 4.5V ± 0.5V  
LOW = 0.25V ± 0.25V  
DRIVE = 10 LSTTL GATES

 american fibertek 120 BELMONT DRIVE SOMERSET N.J.	DATE: 22 AUG 07		RR-80 CUSTOMER ASSEMBLY DRAWING		
	ACAD FN.: RR-80 CC				
	SCALE: NONE	DWG BY: BLB	DWG. NO.:	SH. 1 OF 1	REV.: