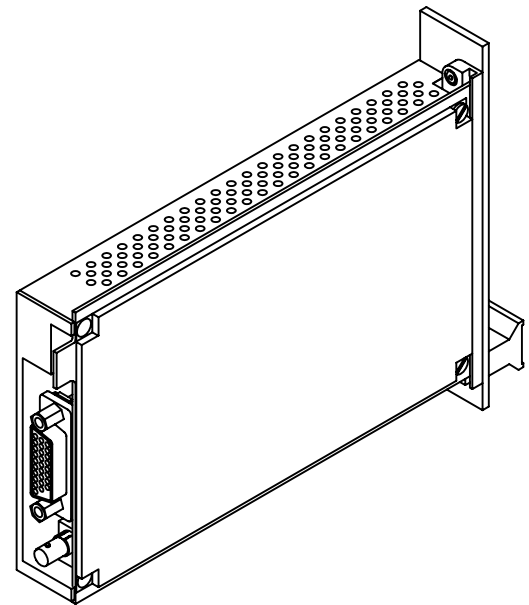
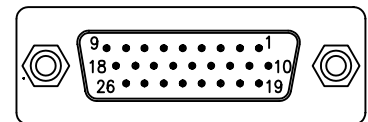


OPTICAL INPUT



| PIN # | DESCRIPTION |
|---------|---------------------------|
| 20 & 21 | CHANNEL #1 CONTACT OUTPUT |
| 10 & 19 | CHANNEL #2 CONTACT OUTPUT |
| 1 & 2 | CHANNEL #3 CONTACT OUTPUT |
| 3 & 4 | CHANNEL #4 CONTACT OUTPUT |
| 5 & 6 | CHANNEL #5 CONTACT OUTPUT |
| 7 & 8 | CHANNEL #6 CONTACT OUTPUT |
| 9 & 26 | CHANNEL #7 CONTACT OUTPUT |
| 24 & 25 | CHANNEL #8 CONTACT OUTPUT |
| 11 | CHANNEL #1 DIGITAL OUTPUT |
| 12 | CHANNEL #2 DIGITAL OUTPUT |
| 13 | CHANNEL #3 DIGITAL OUTPUT |
| 14 | CHANNEL #4 DIGITAL OUTPUT |
| 15 | CHANNEL #5 DIGITAL OUTPUT |
| 16 | CHANNEL #6 DIGITAL OUTPUT |
| 17 | CHANNEL #7 DIGITAL OUTPUT |
| 18 | CHANNEL #8 DIGITAL OUTPUT |
| 22 | LINK STATUS |
| 23 | COMMON GROUND |



NOTES:

- 1> DIGITAL OUTPUTS GO HIGH WHEN CONTACT IS CLOSED
- 2> LINK STATUS OUTPUT:
HIGH = FAULT
LOW = OK
- 3> LOGIC LEVELS:
HIGH = 4.5V ± 0.5V
LOW = 0.25V ± 0.25V
DRIVE = 10 LSTTL GATES

| | | | | | |
|--|----------------------|-------------|---------------------------|------------|-------|
| afi american fibertek 120 BELMONT DRIVE SOMERSET N.J. | DATE: 22 AUG 07 | | RR-80-S | | |
| | ACAD FN.: RR-80-S CC | | CUSTOMER ASSEMBLY DRAWING | | |
| | SCALE: NONE | DWG BY: BLB | DWG. NO.: | SH. 1 OF 1 | REV.: |