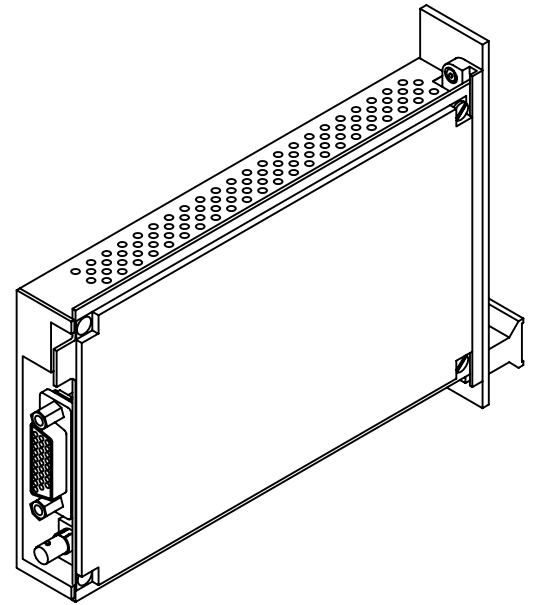
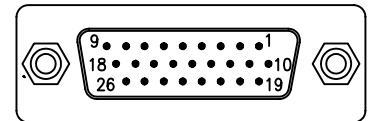


OPTICAL OUTPUT



PIN #	DESCRIPTION
8	CHANNEL #1 CONTACT INPUT
7	CHANNEL #2 CONTACT INPUT
6	CHANNEL #3 CONTACT INPUT
5	CHANNEL #4 CONTACT INPUT
4	CHANNEL #5 CONTACT INPUT
3	CHANNEL #6 CONTACT INPUT
2	CHANNEL #7 CONTACT INPUT
1	CHANNEL #8 CONTACT INPUT
9	COMMON GROUND
10-26	NO CONNECTION



NOTES:

- 1> DIGITAL OUTPUTS GO HIGH WHEN CONTACT IS CLOSED
- 2> LINK STATUS OUTPUT:
HIGH = FAULT
LOW = OK
- 3> LOGIC LEVELS:
HIGH = 4.5V ± 0.5V
LOW = 0.25V ± 0.25V
DRIVE = 10 LSTTL GATES

 afi american fibertek 120 BELMONT DRIVE SOMERSET N.J.	DATE: 22 AUG 07	RT-80-S		
	ACAD FN.: RT-80-S CC	CUSTOMER ASSEMBLY DRAWING		
SCALE: NONE	DWG BY: BLB	DWG. NO.:	SH. 1 OF 1	REV.: CHK.: <i>SK</i>