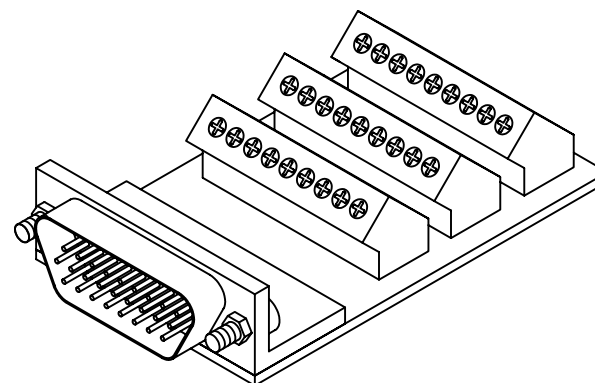


DB-26 PIN OUTS

MOUNTING:

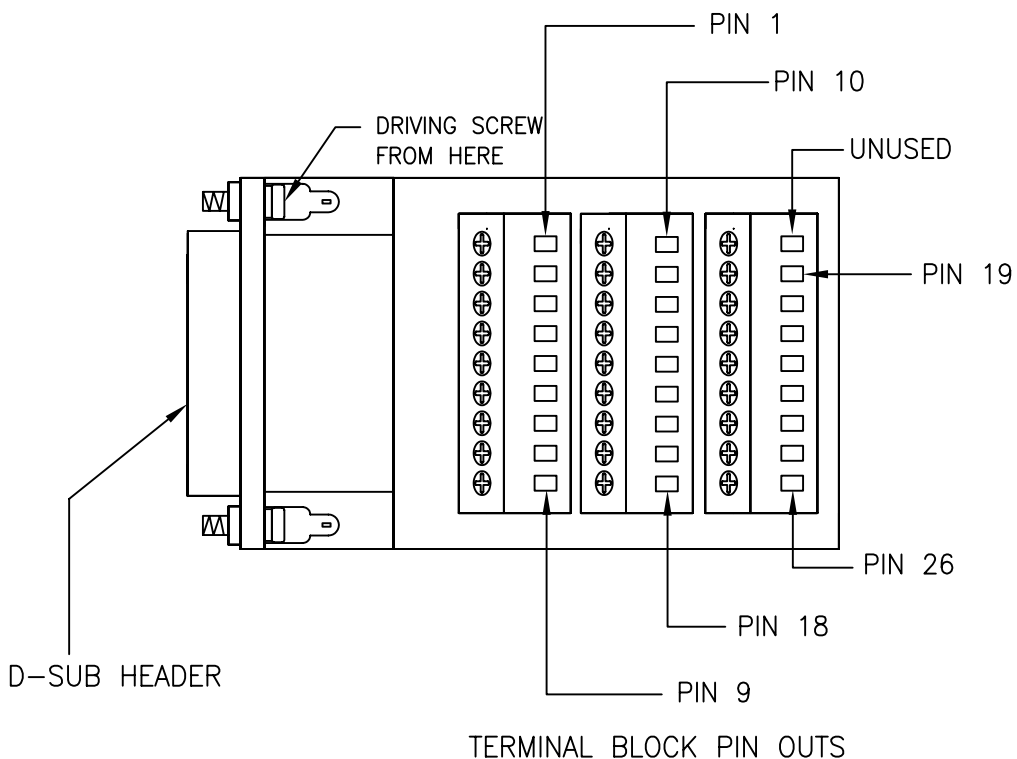
- ① PLUG D-SUB HEADER INTO D-SUB SOCKET ON 81 BOARD
- ② DRIVE SCREWS INTO HEX JACKS ON D-SUB SOCKET TO SECURE THE ADAPTER BOARD.



THE PIN NUMBER ON TERMINAL BLOCKS CORRESPONDS WITH THE PIN NUMBER ON DB-26 CONNECTOR RESPECTIVELY.

2 TERMINAL BLOCKS PRESENT ON MT-81, RT-81.

3 TERMINAL BLOCKS PRESENT ON MR-81,RR-81.



TERMINAL BLOCK PIN OUTS

 120 BELMONT DRIVE SOMERSET N.J.	DATE: 20 JULY 2009		CUSTOMER ASSEMBLY DRAWING D-SUB 26 ADAPTOR FOR 80/81/82 SERIES			
	ACAD FN.: 81-DB26 CC					
	SCALE: NONE	DWG BY: CLQ	DWG. NO.:	SH.	OF	REV.: