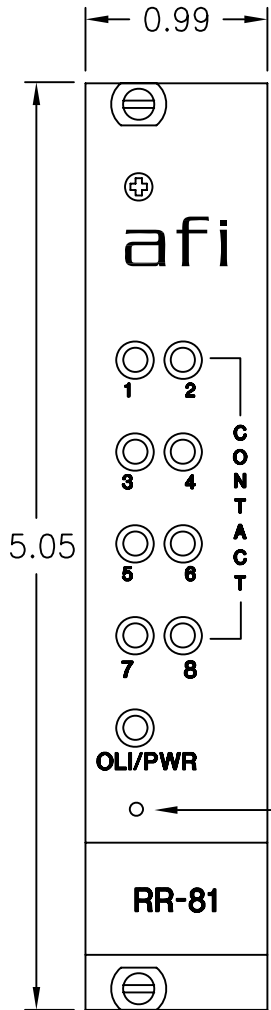


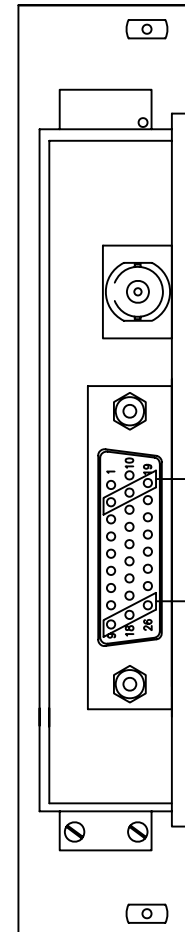
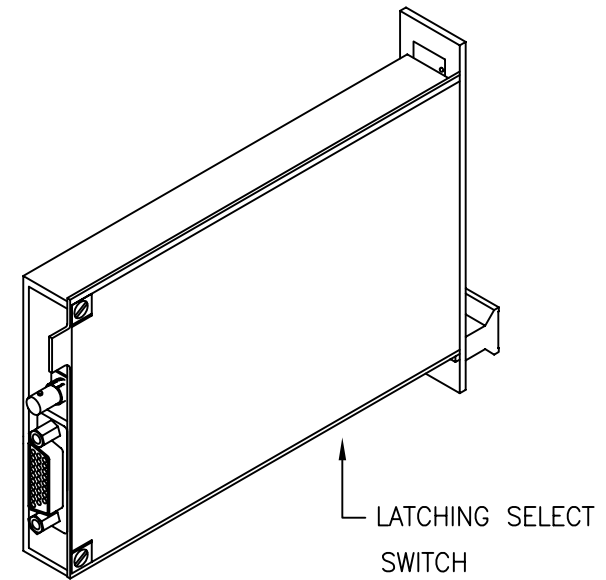
LATCHING SELECT SWITCH (5 POSITION):
 WHEN ALL POSITIONS OF SWITCH ARE UP(OFF), ALL CONTACT OUTPUT STATES
 REMAIN LATCHED(UNCHANGED) DURING LOSS OF OPTICAL CONNECTION
 AND/OR LOSS OF UNIT'S DC POWER. ONLY A COMMAND FROM
 MT/RT UNIT WILL CHANGE THE CONTACT OUTPUT STATES.
 WHEN ALL POSITIONS OF SWITCH ARE DOWN(ON), ALL CONTACT OUTPUT STATES
 WILL REVERT TO THE DEFAULT STATES WHEN THERE IS A LOSS OF
 THE OPTICAL CONNECTION AND/OR THE UNIT'S DC POWER.



CONTACT1 TO CONTACT8 – CONTACT CLOSURE OUTPUT INDICATORS:
 GREEN INDICATES THE RESPECTIVE NORMALLY OPEN CONNECTIONS
 ARE CLOSED AND THE NORMALLY CLOSED CONNECTIONS ARE OPEN.
 OFF INDICATES THE RESPECTIVE CONNECTIONS ARE IN THE DEFAULT
 STATE(NORMALLY OPEN IS OPEN, NORMALLY CLOSED IS CLOSED)

OLI/PWR – OPTICAL LEVEL/DC POWER INDICATOR:
 GREEN INDICATES THE OPTICAL INPUT POWER IS WITHIN THE
 PROPER RANGE AND THAT DC POWER IS PRESENT.
 RED INDICATES THE OPTICAL POWER IS NOT WITHIN THE
 PROPER RANGE BUT DC POWER IS PRESENT.
 OFF INDICATES DC POWER IS NOT PRESENT.

RESET PUSH BUTTON:
 PRESSING THIS MOMENTARY PUSH BUTTON CAUSES ALL
 THE CONTACT OUTPUT CONNECTIONS TO SWITCH TO THEIR
 DEFAULT STATES WHEN THE UNIT IS NOT CONNECTED TO
 AN MT/RT UNIT.



OPTICAL IN

NORMALLY CLOSED, PIN 2 THRU PIN 9
 COMMON, PIN 11 THRU PIN 18
 NORMALLY OPEN, PIN 19 THRU PIN 26

NOTE: SEE SHEET 2 FOR D-SUB 26
 ADAPTOR DETAIL.

CONTACT OUT CH1 TO CH 8:
 THESE PROVIDE 8 SETS OF BOTH NORMALLY OPEN
 AND NORMALLY CLOSED CONTACT CONNECTIONS.

 afi american fibertek 120 BELMONT DRIVE SOMERSET N.J.	DATE: 22 MAY 09		RR-81		
	ACAD FN.: RR-81 CC		CUSTOMER ASSEMBLY DRAWING		
	SCALE: NONE	DWG BY: CLQ	DWG. NO.:	REV.:	CHK.: SK
		sh. 1 of 2			

