

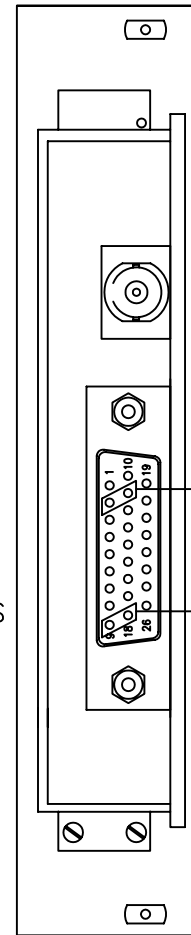
CONTACT1 TO CONTACT8 – CONTACT CLOSURE INPUT INDICATORS:  
GREEN INDICATES THAT THE CONTACT INPUT CONNECTION IS CLOSED.

OLI – DC POWER:  
GREEN INDICATES THAT DC POWER IS ON.  
OFF INDICATES DC POWER IS NOT PRESENT.

RESET PUSH BUTTON:  
PRESSING THE MOMENTARY PUSH BUTTON CAUSES ALL THE CONTACT OUTPUTS AT THE MR/RR-81 UNITS TO TEMPORARILY SWITCH TO THEIR DEFAULT STATES (NORMALLY OPEN CONNECTIONS ARE OPEN; NORMALLY CLOSED CONNECTIONS ARE CLOSED). THIS IS USED PRIMARILY FOR TESTING PURPOSES.

RESET PUSH BUTTON

CONTACT IN CH1 TO CH 8:  
THESE PROVIDE 8 CONTACT CLOSURE INPUT CONNECTIONS. CLOSING THE RESPECTIVE CONTACT CLOSURE INPUT CONNECTIONS CAUSES THE RESPECTIVE RELAYS IN THE MR/RR-81 TO SWITCH FROM THE DEFAULT STATE TO (NORMALLY OPEN CONNECTIONS ARE CLOSED) AND (NORMALLY CLOSED CONNECTIONS ARE OPEN).

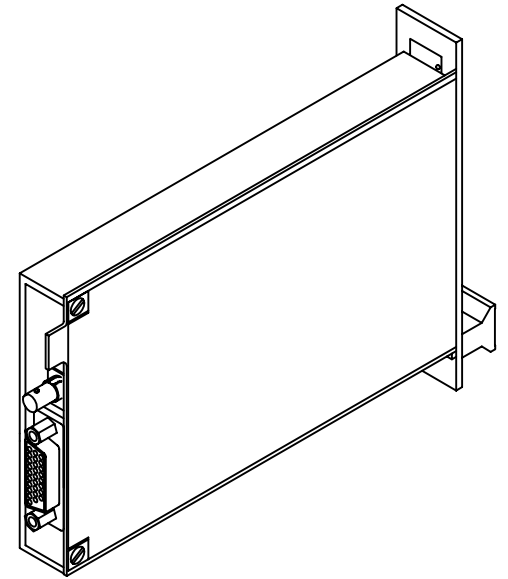


OPTICAL OUT

CH 1

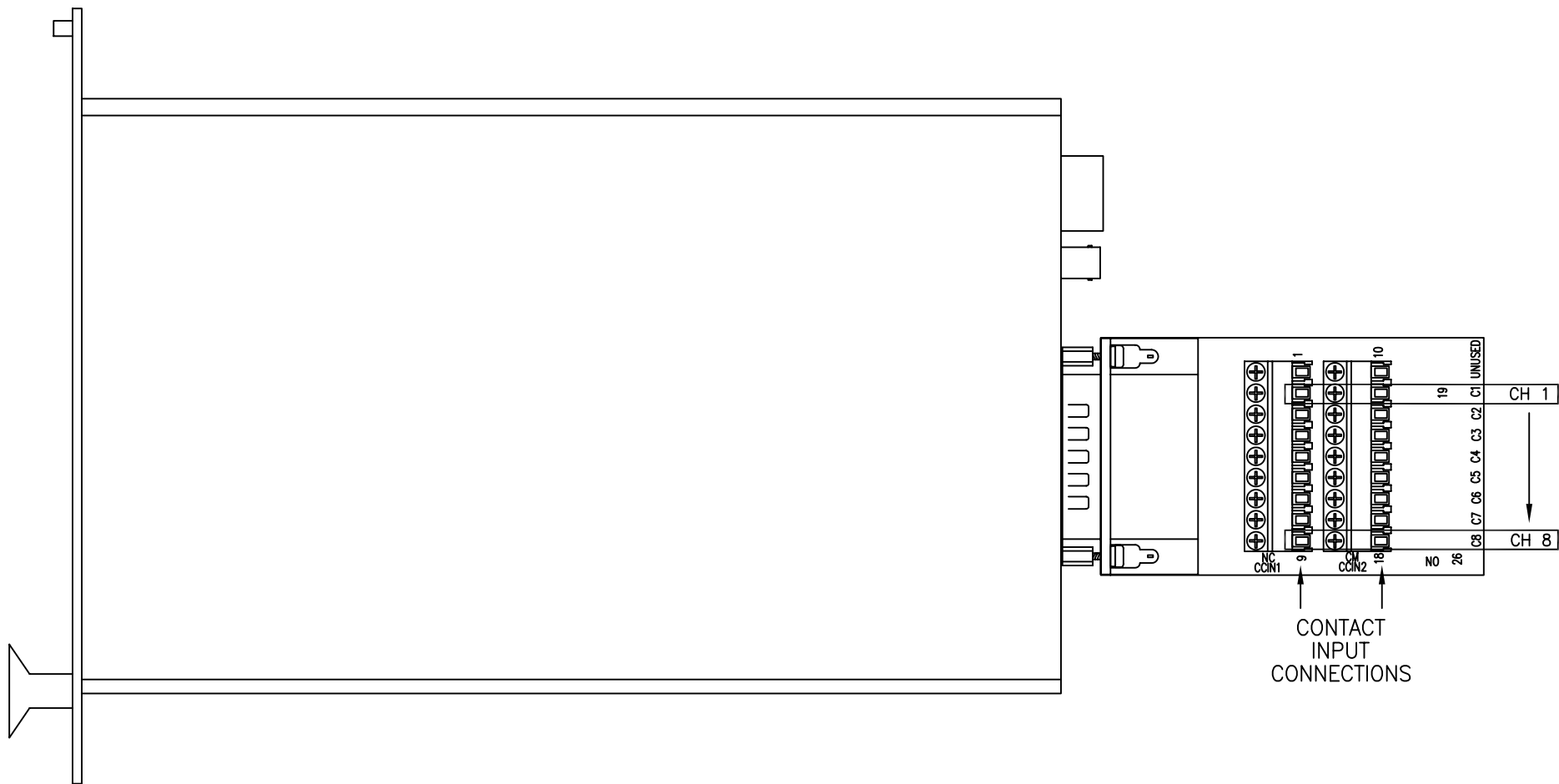
CH 8

CONTACT INPUT CONNECTIONS



NOTE: SEE SHEET 2 FOR D-SUB 26 ADAPTOR DETAIL.

 <b>afi</b> american fibertek 120 BELMONT DRIVE SOMERSET N.J.	DATE:	02 FEB 2010		RT-81	
	ACAD FN.:	RT-81 CC		CUSTOMER ASSEMBLY DRAWING	
	SCALE:	DWG BY:	DWG. NO.:	REV.:	CHK.:
	NONE	CLQ			
			sh. 1 of 2		



**afi**  
 american fibertek  
 120 BELMONT DRIVE SOMERSET N.J.

DATE: 02 FEB 2010  
 ACAD FN.: RT-81 CC  
 SCALE: NONE  
 DWG BY: CLQ

RT-81  
 CUSTOMER ASSEMBLY DRAWING  
 DWG. NO.:  
 SH. 2 OF 2  
 REV.:  
 CHK.: