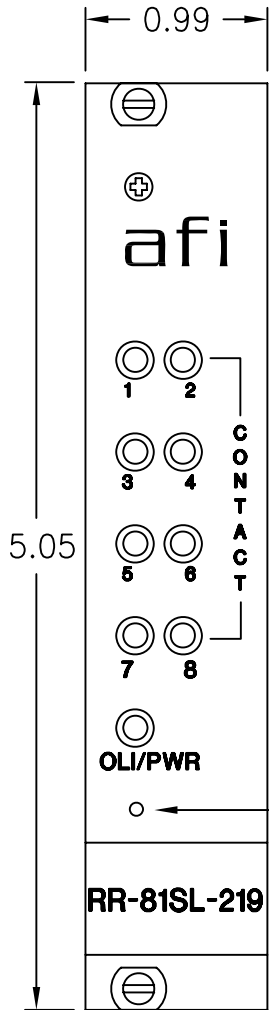


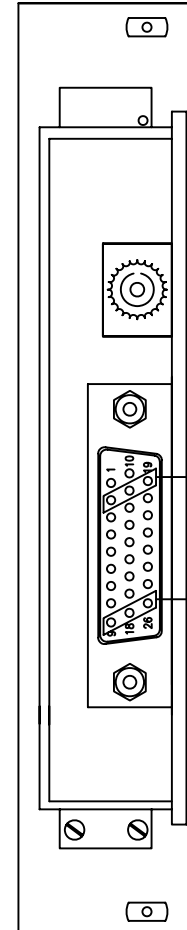
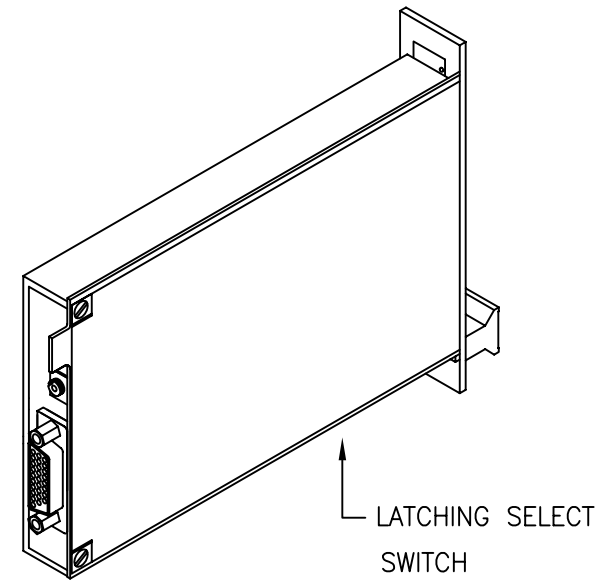
LATCHING SELECT SWITCH (5 POSITION):  
 WHEN ALL POSITIONS OF SWITCH ARE UP(OFF), ALL CONTACT OUTPUT STATES  
 REMAIN LATCHED(UNCHANGED) DURING LOSS OF OPTICAL CONNECTION  
 AND/OR LOSS OF UNIT'S DC POWER. ONLY A COMMAND FROM  
 MT/RT UNIT WILL CHANGE THE CONTACT OUTPUT STATES.  
 WHEN ALL POSITIONS OF SWITCH ARE DOWN(ON), ALL CONTACT OUTPUT STATES  
 WILL REVERT TO THE DEFAULT STATES WHEN THERE IS A LOSS OF  
 THE OPTICAL CONNECTION AND/OR THE UNIT'S DC POWER.



CONTACT1 TO CONTACT8 – CONTACT CLOSURE OUTPUT INDICATORS:  
 GREEN INDICATES THE RESPECTIVE NORMALLY OPEN CONNECTIONS  
 ARE CLOSED AND THE NORMALLY CLOSED CONNECTIONS ARE OPEN.  
 OFF INDICATES THE RESPECTIVE CONNECTIONS ARE IN THE DEFAULT  
 STATE(NORMALLY OPEN IS OPEN, NORMALLY CLOSED IS CLOSED)

OLI/PWR – OPTICAL LEVEL/DC POWER INDICATOR:  
 GREEN INDICATES THE OPTICAL INPUT POWER IS WITHIN THE  
 PROPER RANGE AND THAT DC POWER IS PRESENT.  
 RED INDICATES THE OPTICAL POWER IS NOT WITHIN THE  
 PROPER RANGE BUT DC POWER IS PRESENT.  
 OFF INDICATES DC POWER IS NOT PRESENT.

RESET PUSH BUTTON:  
 PRESSING THIS MOMENTARY PUSH BUTTON CAUSES ALL  
 THE CONTACT OUTPUT CONNECTIONS TO SWITCH TO THEIR  
 DEFAULT STATES WHEN THE UNIT IS NOT CONNECTED TO  
 AN MT/RT UNIT.



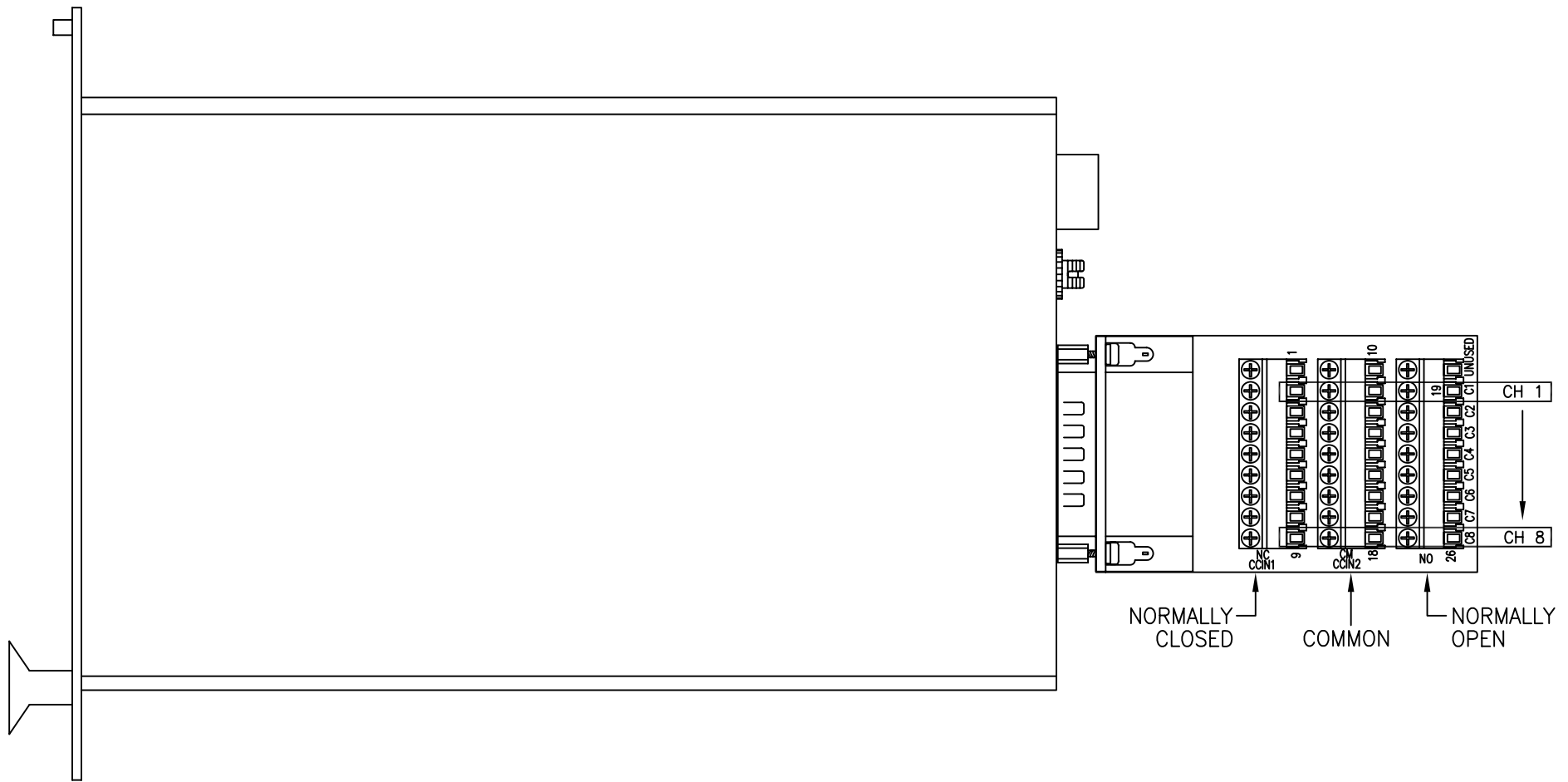
OPTICAL IN

NORMALLY CLOSED, PIN 2 THRU PIN 9  
 COMMON, PIN 11 THRU PIN 18  
 NORMALLY OPEN, PIN 19 THRU PIN 26

NOTE: SEE SHEET 2 FOR D-SUB 26  
 ADAPTOR DETAIL.

CONTACT OUT CH1 TO CH 8:  
 THESE PROVIDE 8 SETS OF BOTH NORMALLY OPEN  
 AND NORMALLY CLOSED CONTACT CONNECTIONS.

 <b>afi</b> american fibertek 120 BELMONT DRIVE SOMERSET N.J.	DATE: 03 SEPT 09		RR-81SL-219		
	ACAD FN.: RR-81SL-219 CC		CUSTOMER ASSEMBLY DRAWING		
	SCALE: NONE	DWG BY: CLQ	DWG. NO.:	SH. 1 OF 2	REV.:



**afi**  
 american fibertek  
 120 BELMONT DRIVE SOMERSET N.J.

DATE: 03 SEPT 09  
 ACAD FN.: RR-81SL-219 CC  
 SCALE: NONE    DWG BY: CLQ

RR-81SL-219  
 CUSTOMER ASSEMBLY DRAWING

DWG. NO.:	REV.:	CHK.:
SH. 2 OF 2		