

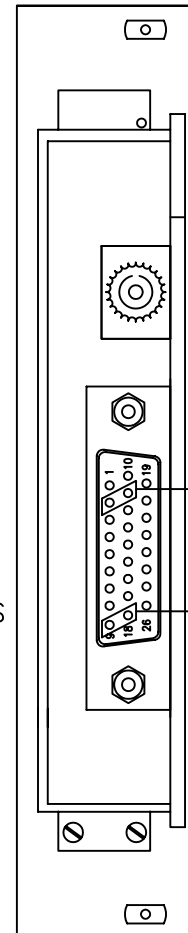
CONTACT1 TO CONTACT8 – CONTACT CLOSURE INPUT INDICATORS:
GREEN INDICATES THAT THE CONTACT INPUT CONNECTION IS CLOSED.

OLI – DC POWER:
GREEN INDICATES THAT DC POWER IS ON.
OFF INDICATES DC POWER IS NOT PRESENT.

RESET PUSH BUTTON:
PRESSING THE MOMENTARY PUSH BUTTON CAUSES ALL THE CONTACT OUTPUTS AT THE MR/RR-81 UNITS TO TEMPORARILY SWITCH TO THEIR DEFAULT STATES (NORMALLY OPEN CONNECTIONS ARE OPEN; NORMALLY CLOSED CONNECTIONS ARE CLOSED). THIS IS USED PRIMARILY FOR TESTING PURPOSES.

RESET PUSH BUTTON

CONTACT IN CH1 TO CH 8:
THESE PROVIDE 8 CONTACT CLOSURE INPUT CONNECTIONS. CLOSING THE RESPECTIVE CONTACT CLOSURE INPUT CONNECTIONS CAUSES THE RESPECTIVE RELAYS IN THE MR/RR-81 TO SWITCH FROM THE DEFAULT STATE TO (NORMALLY OPEN CONNECTIONS ARE CLOSED) AND (NORMALLY CLOSED CONNECTIONS ARE OPEN).

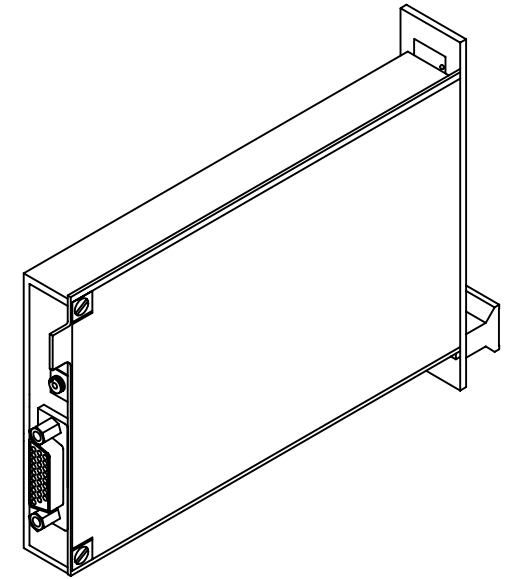


OPTICAL OUT

CH 1

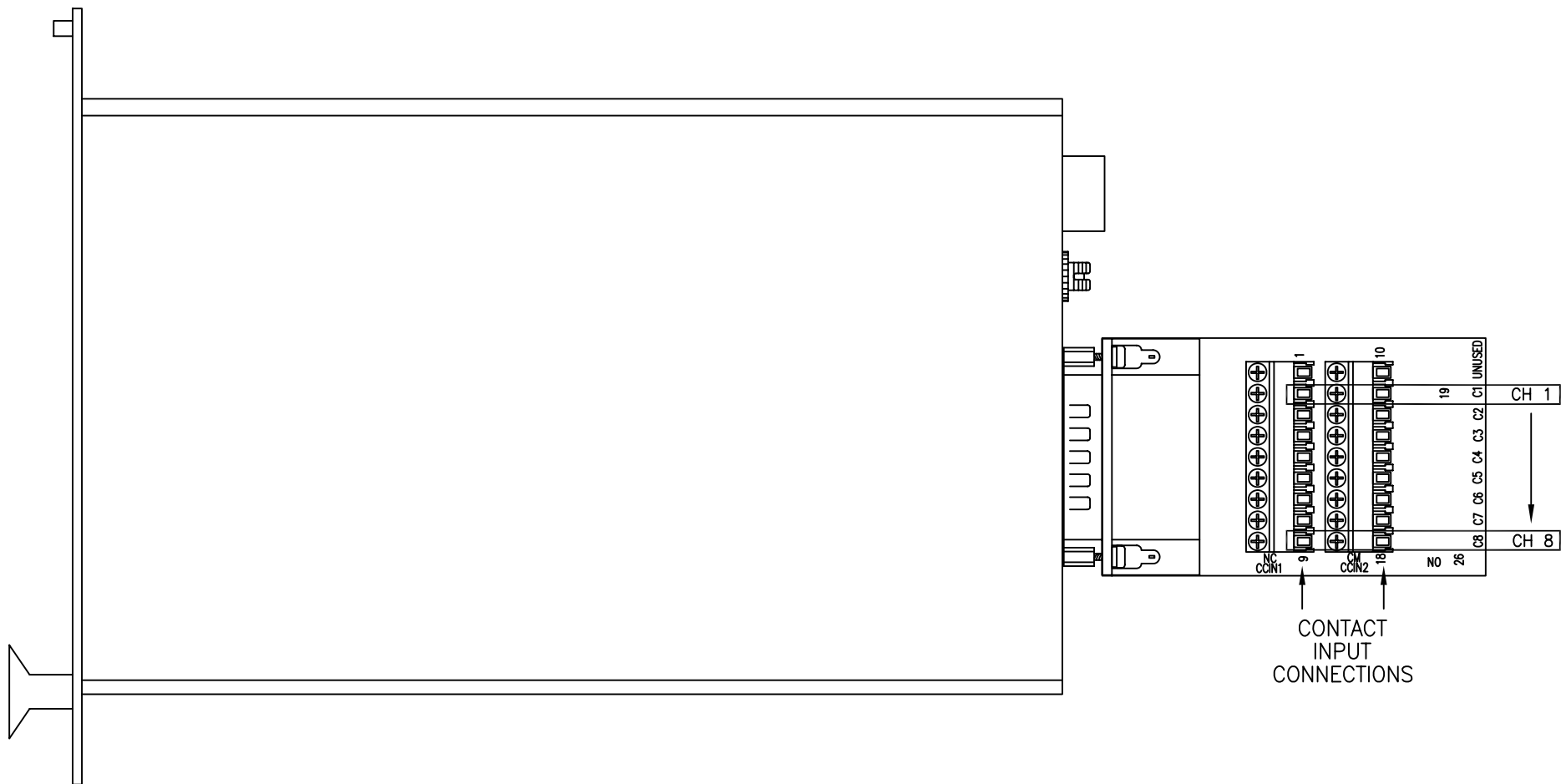
CH 8

CONTACT INPUT CONNECTIONS



NOTE: SEE SHEET 2 FOR D-SUB 26 ADAPTOR DETAIL.

 afi american fibertek 120 BELMONT DRIVE SOMERSET N.J.	DATE:	03 SEPT 2009		RT-81SL-219 CUSTOMER ASSEMBLY DRAWING	
	ACAD FN.:	RT-81SL-219 CC			
	SCALE:	DWG BY:	DWG. NO.:	REV.:	CHK.:
NONE	CLQ			SH. 1 OF 2	SK



afi
 american fibertek
 120 BELMONT DRIVE SOMERSET N.J.

DATE: 03 SEPT 2009
 ACAD FN.: RT-81SL-219 CC
 SCALE: NONE DWG BY: CLQ

RT-81SL-219
 CUSTOMER ASSEMBLY DRAWING
 DWG. NO.: SH. 2 OF 2 REV.: CHK.: