

AUDIO TX/RX INDICATORS:

INDICATOR IS GREEN WHEN PROPER SIGNAL LEVEL IS PRESENT. OFF WHEN SIGNAL MISSING OR AT AN INCORRECT LEVEL.

CONTACT TX/RX INDICATORS:


INDICATOR IS GREEN WHEN CONTACT IS CLOSED. OFF WHEN CONTACT IS OPEN.

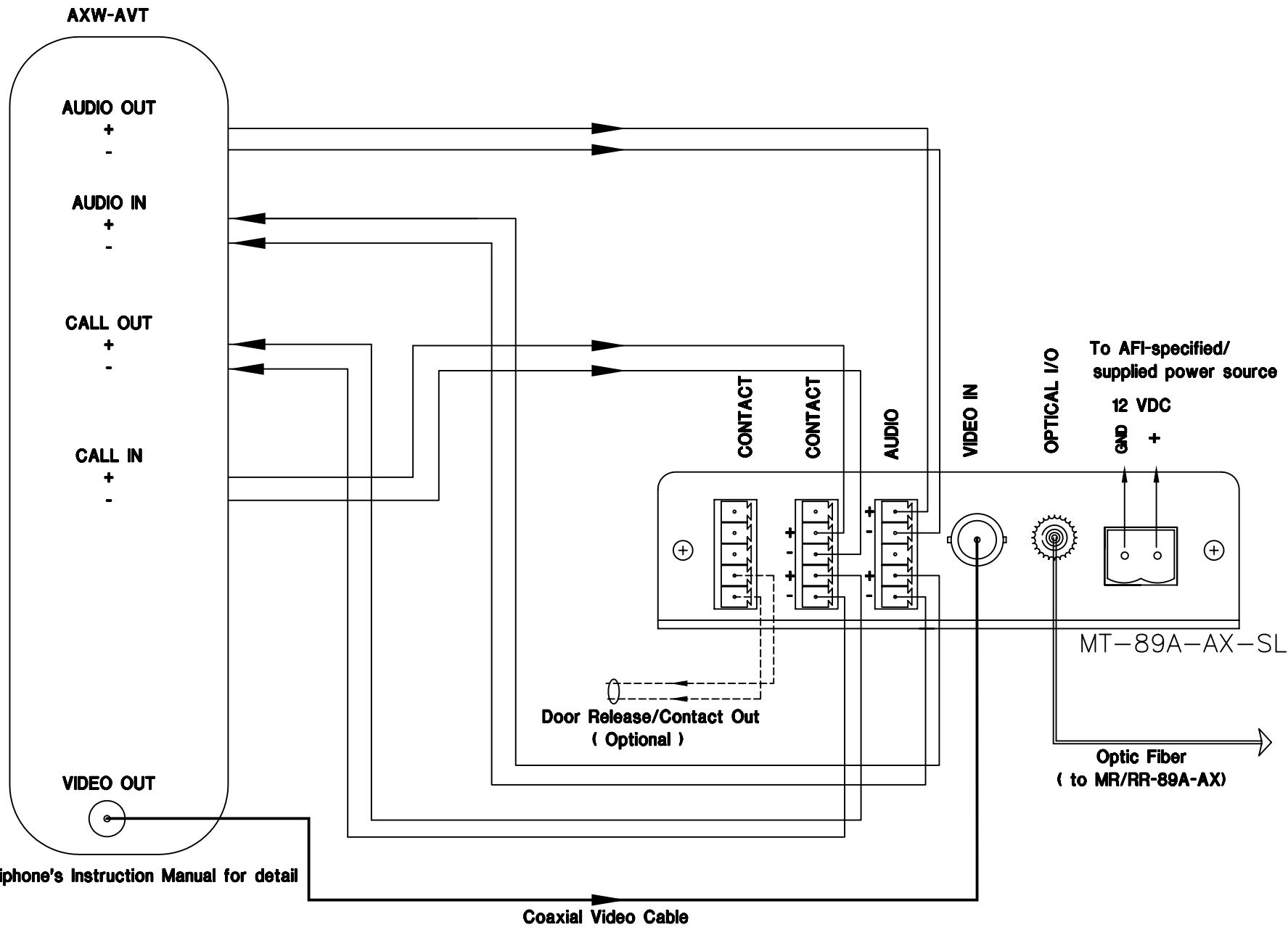
VLI - VIDEO LEVEL INDICATOR:

OLI - OPTICAL LEVEL INDICATOR:


SYNC - SYNC INDICATOR:

INDICATOR IS GREEN WHEN PROPER SIGNAL/LEVEL IS PRESENT. IT IS RED WHEN SIGNAL IS MISSING OR AT AN INCORRECT LEVEL.

 american fibertek 120 BELMONT DRIVE SOMERSET N.J.	DATE: 30 OCT 09		MT-89A-AX-SL		
	ACAD FN.: MT-89A-AX-SL CO		CUSTOMER ASSEMBLY DRAWING		
	SCALE: NONE	DWG BY: CLQ	DWG. NO.:	SH. 1 OF 2	REV.:



Please refer to Aiphone's Instruction Manual for detail

 american fibertek 120 BELMONT DRIVE SOMERSET N.J.	DATE: 30 OCT 09		MT-89A-AX-SL		
	ACAD FN.: MT-89A-AX-SL CC		CUSTOMER ASSEMBLY DRAWING		
	SCALE: NONE	DWG BY: CLQ	DWG. NO.:	SH. 2 OF 2	REV.: