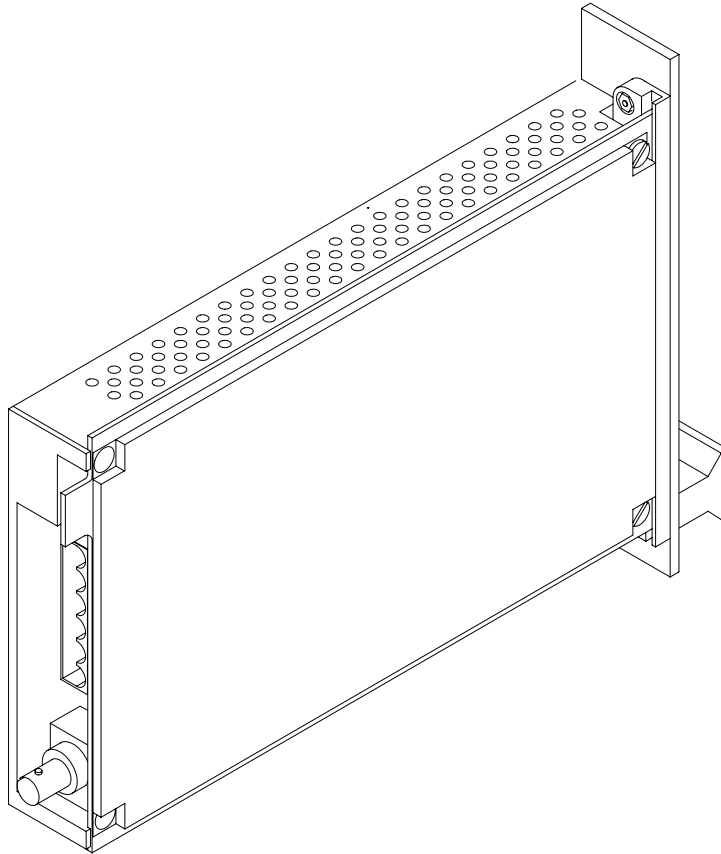




120 Belmont Drive
Somerset, NJ 08873-1204

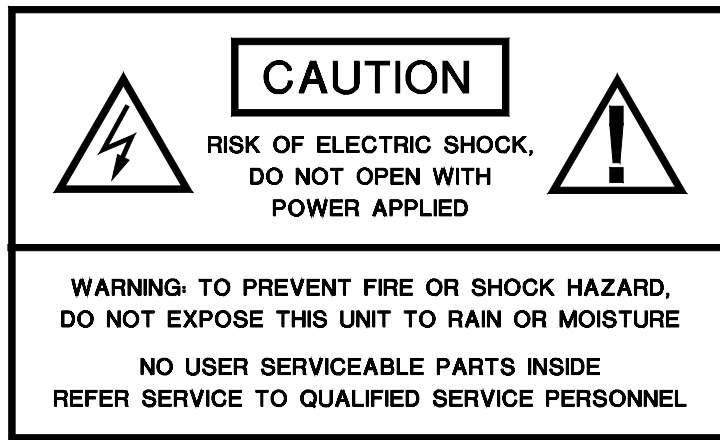
American Fibertek

Phone: 732.302.0660 Fax: 732.302.0667



Instruction Manual

RR-89A-L Audio Transceiver For Aiphone LEF Series Intercom



INSTALLATION AND OPERATION INSTRUCTIONS

INTRODUCTION

Thank you for purchasing your American Fibertek RR-89A-L multimode audio / contact closure transceiver. Please take a few minutes to read these installation instructions in order to obtain the maximum performance from this product.

FUNCTIONAL DESCRIPTION

The RR-89A-L operates as half of a transceiver pair for the transmission of bi-directional Aiphone LEF Series intercom signals. It is designed to operate with the MT-89A-L or RT-89A-L audio transceiver over a single multimode fiber optic cable. In addition, the RR-89A-L can transmit one independent dry contact closure to the MT-89A-L or RT-89A-L.

The RR-89A-L converts an audio input signal along with a contact closure input into an optical output using an 850nm wavelength source. The RR-89A-L also converts an optical input signal returning on the same fiber into an audio output and a call button output using a 1300nm wavelength detector. The 89A-L Series product is designed to operate over an optical loss budget range of 0dB to 12dB. The RR-89A-L operates on 50um or 62.5um multimode fiber. Refer to the data sheets for detailed performance specifications.

This unit is designed for rack mounting in any of the three American Fibertek subracks available. The subrack model numbers are SR-20/1, SR-20R/1, and SR-20/2. Slide in rack mounting and an LED indicator provides for easy installation and monitoring of optical and dc power.

The RR-89A-L is designed for rack mounting only. For a stand alone version please see the MR-89A-L.

INSTALLATION

THIS INSTALLATION SHOULD BE MADE BY A QUALIFIED SERVICE PERSON AND SHOULD CONFORM TO THE NATIONAL ELECTRICAL CODE, ANSI/NFPA 70 AND LOCAL CODES.

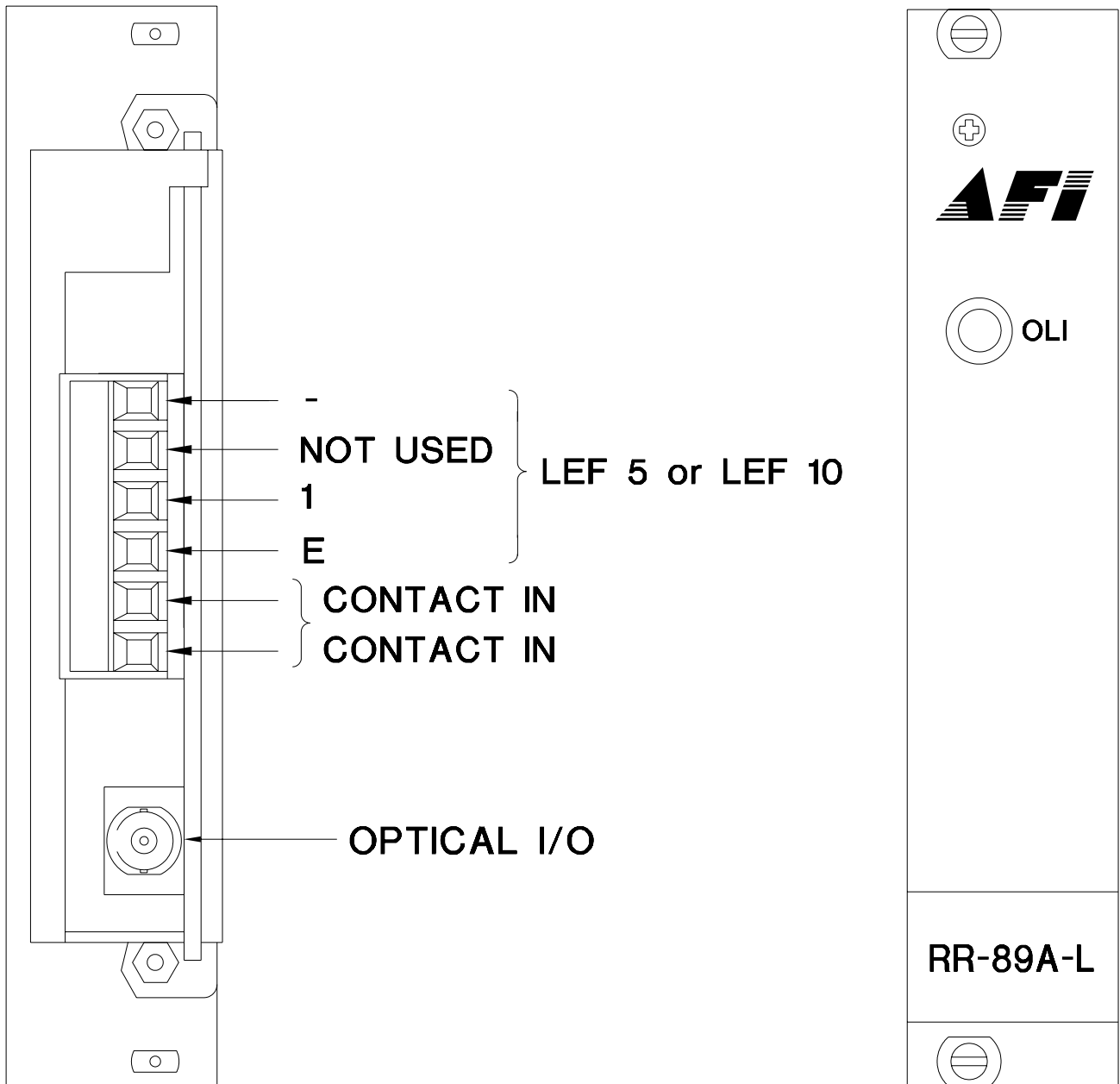
The unit slides into any open slot in the SR-20 subrack. Use a small screwdriver to push and lock the two ¼ turn fasteners into place.

POWER SOURCE

Power to the unit is supplied by the subrack. Please refer to the SR-20 and PSR instructions for further details.

POWER CONNECTION

Power is supplied to the unit via a four finger backplane connector. The RRM-1485 can be inserted into the subrack or removed from the subrack with power applied to the backplane.



FIBER CONNECTION

The fiber optic connection is made via a ST connector located on the back of the unit. Be sure to allow sufficient room for the required minimum bend radius of the fiber cable used.

AIPHONE INPUT / OUTPUT CONNECTIONS

AiPHONE input / output connections are made via a terminal block on the back of the unit. See the drawing above for the three copper wire connections to the AiPHONE LEF Master. Please note that if the 'E' and '-' connections are shorted at the master only one copper wire need to be run between the RR-89A-L and the master for those two signals along with a jumper across the 'E' and '-' terminals on the RR-89A-L.

CONTACT INPUT CONNECTIONS

Contact closure input connections are made via a terminal block on the back of the unit. See the drawing above for the location of the two contact input wire connections.

RR-89A-L STATUS INDICATOR

The RR-89A-L provides the following LED status indicator to aid in installation and troubleshooting:

OLI

A bi-color LED indicator monitors the optical input power of the audio/contact signal that is being received at the RR-89A-L from the MT-89A-L or the RT-89A-L. DC power and optical input status associated with this LED are summarized below.

Optical Level Indicator	DC Power Status	Optical Status
Green	On	Proper Optical Input Power Present
Red	On	Optical Input Not Detected
Off	Off	Check Power Supply

LIFETIME WARRANTY INFORMATION

American Fibertek, Inc warrants that at the time of delivery the products delivered will be free of defects in materials and workmanship. Defective products will be repaired or replaced at the exclusive option of American Fibertek. A Return Material Authorization (RMA) number is required to send the products back in case of return. All returns must be shipped prepaid. This warranty is void if the products have been tampered with. This warranty shall be construed in accordance with New Jersey law and the courts of New Jersey shall have exclusive jurisdiction over this contract. **EXCEPT FOR THE FOREGOING WARRANTY, THERE IS NO WARRANTY OF MERCHANTABILITY OR FITNESS FOR A PARTICULAR PURPOSE OR OTHERWISE, EXPRESSED OR IMPLIED, WHICH EXTENDS BEYOND THE WARRANTY SET FORTH IN THIS AGREEMENT.** In any event, American Fibertek will not be responsible or liable for contingent, consequential, or incidental damages. No agreement or understanding, expressed or implied, except as set forth in this warranty, will be binding upon American Fibertek unless in writing, signed by a duly authorized officer of American Fibertek.

SERVICE INFORMATION

There are no user serviceable parts inside the unit. In the event that service is required to this unit, please direct all inquiries to:

American Fibertek, Inc.
120 Belmont Drive
Somerset, NJ 08873

Phone: (877) 234-7200
Phone: (732) 302-0660
FAX (732) 302-0667

E-mail: techinfo@americanfibertek.com